

Interface Technology · Microcompact analogue/analogue converter

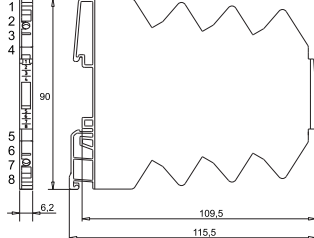
Input: $\pm 30\text{ V}$, $\pm 50\text{ mA}$, $\pm \text{DC } 5\text{ A}$ adjustable

Output: $0\text{--}20\text{ mA}$ / $4\text{--}20\text{ mA}$ / $0\text{--}10\text{ V}$ / $-10\text{--}10\text{ V}$ / $2\text{--}10\text{ V}$ / $0\text{--}5\text{ V}$ / $1\text{--}5\text{ V}$

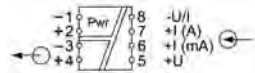
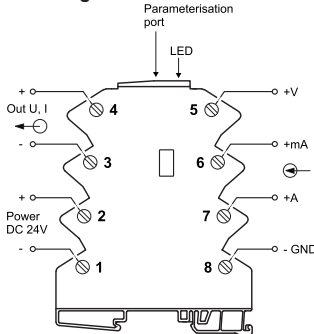
Insulation: 2.5 kV , 3-way isolation



Dimensions



PIN assignment



Range adjustment

Range*	S1 → Switch On					Range*	S1 → Switch On				
	1	2	3	4	5		1	2	3	4	5
0–50mV	●					0–10mA					●
0–100mV	●					0–20mA					●
0–200mV	●					0–50mA					●
0–500mV	●					4–20mA					●
0–1V	●					0–0.5A					●
0–2V	●					0–1A					●
0–5V	●					0–2A					●
0–10V	●					0–5A					●
0–20V	●					±1V					●
0–30V	●					±5V					●
1–5V	●					±10V					●
2–10V	●					±5mA					●
0–1mA	●					±20mA					●
0–2mA	●					±2A					●
0–5mA	●					±5A					●

S1 1-8 off: FDT/DTM

*See instruction leaflet

Output	6	7	8
0–20mA	●		
4–20mA		●	
0–10V	●	●	
±10V			●
2–10V	●		
0–5V			●
1–5V	●		

Description	Part-No.	Type	PU				
Screw terminal							
Nominal voltage	DC 24 V	750320	LCON AA DFDT 806210	1			
Spring terminal							
Nominal voltage	DC 24 V	751320	LCON AA DFDT 806211	1			
Input	+30/-30V	+50/-50mA	DC +5A/-5A				
Measurement input	+30/-30 V, +50/-50 mA, DC +5 A/-5 A, adjustable via switch and software FDT/DTM, connection via micro USB						
Galvanic isolation I/O	3-way isolation						
Step response (10–90%)	1.5 ms – 750 ms (adjustable by means of filter stage 1–5, default: filter stage 4 = 200 ms)						
Transmission frequency	-						
Input characteristic impedance	> 800 kΩ	30 Ω	10 mΩ				
Zero /Span	freely adjustable						
Output	0 – 10 V	-10 – +10 V	0 – 20 mA	4 – 20 mA			
Output signal	adjustable via switch and software FDT/DTM, connection via USB service cable						
Max. load impedance at I-output	-			700 Ω			
Min. load impedance at U-output	>2 kΩ			-			
Load deviation	-						
Limitation for exceeding measurement range	10.25 V		20.5 mA				
max. Output signal	10.5 V		21 mA				
General	+30/-30V	+50/-50mA	+5A/-5A				
Nominal voltage	DC 24 V						
Operation voltage range	16.8–30 V						
Rated current	approx. 18 mA						
Status Indication	LED green, red (error)						
Input/output protection	Overvoltage DC 30 V, Output short circuit-proof						
Accuracy	0.1 % FSR		0.5 % FSR				
Linearity error	± 0.05 % FSR		± 0.1 % FSR				
Termination	Screw-/spring terminal: 0.14–1.5 mm ²						
Resolution	16-bit						
Temperaturcompensation intern	-						
Configuration	Switch and software: FDT / DTM						
Temperature error	<100 ppm FSR						
Data storage	Flash						
Insulation voltage input/output	2.5 kV _{eff}						
Housing material	PA 6.6 (UL 94 V-0)						
Field installation	rail TS 35 (EN 50022)						
Protection class	IP 20						
Installation position	Optional						
Operation temperature range	-40 °C – 70 °C						
Storage temperature range	-40 °C – 85 °C						
Dimensions (w × h × d)	6.2 × 90.0 × 115.5 mm						
Weight (kg/piece)	0.050						
Approvals	cULus, Class I, Div. 2, Groups A,B,C,D T4						
Accessories	Colour	2-pole	3-pole	4-pole	8-pole	16-pole	PU
6 A jumper comb	red	762802	762805	762812	762822	762832	10
6 A jumper comb	white	762803	762806	762813	762823	762833	10
6 A jumper comb	blue	762804	762807	762814	762824	762834	10
Accessories	Article number	Type		PU			
USB service cable	750894	LCON ZB USB		1			
Label holder 4×11mm white	681313	BZT-0411		100			

Interface Technology · Microcompact temp./analogue converter

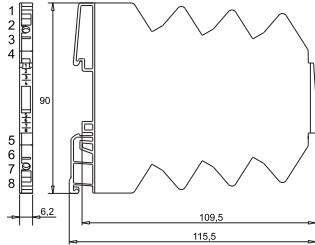
Input: PT, thermocouple, potentiometer – adjustable temperature converter

Output: 0–20 mA / 4–20 mA / 0–10 V / -10–10 V / 2–10 V / 0–5 V / 1–5 V

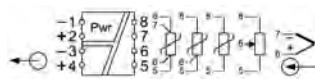
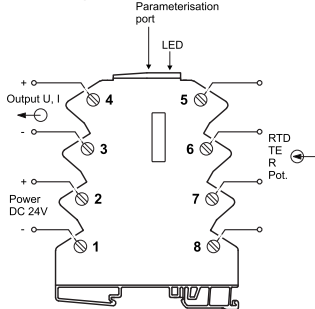
Insulation: 2.5 kV, 3-way isolation



Dimensions



PIN assignment



Range adjustment

Range*	S1	S2
Start	7	8
-200°C	●	●
-150°C	●	●
-100°C	●	●
-50°C	●	●
0°C	●	●
250°C	●	●
300°C	●	●
350°C	●	●
400°C	●	●
450°C	●	●
500°C	●	●
550°C	●	●
600°C	●	●
650°C	●	●
700°C	●	●
750°C	●	●
800°C	●	●
850°C	●	●
900°C	●	●
950°C	●	●
1000°C	●	●
1050°C	●	●
1100°C	●	●
1150°C	●	●
1200°C	●	●
1250°C	●	●
1300°C	●	●
1350°C	●	●
1400°C	●	●
● → Switch On		

S1-S2 1-8 off: FDT/DTM
*See instruction leaflet

Description	Part-No.	Type	PU				
Screw terminal							
Nominal voltage	DC 24 V	750340	LCON TA DFDT 806210	1			
Spring terminal							
Nominal voltage	DC 24 V	751340	LCON TA DFDT 806211	1			
Input	PT, poti, resistance	Thermocouples					
Measurement input	PT100, PT1000, Potenziometer 0–100 kΩ customer specific via contact points, polynomial	Type B, C, E, J, K, N, R, S, T customer specific via contact points, polynomial					
Galvanic isolation I/O		3-way isolation					
Temperature range	-220... 850 °C depending on type	-210...2310 °C depending on type					
Step response (10–90%)	TE: 10 – 750 ms, PT: 5 – 750 ms (adjustable by means of filter stage 1–5, default: 200 ms – filter stage 4)						
Input resistance	-	1 MΩ					
Sensor current	0.2/0.6 mA type-dependent	-					
Circuit	PT - 2, 3, 4-wire, for 2-conductor with offset adjustment, no external bridges necessary, autom. detection						
Output	0-10 V	-10 – +10 V	0 – 20 mA	4 – 20 mA			
Output signal	adjustable via switch and software FDT/DTM, connection via USB service cable						
Max. load impedance at I-output	-	700 Ω					
Max. load impedance at U-output	>2 kΩ	-					
Limitation for exceeding measurement range	10.25 V	20.5 V					
max. modulation range/output current	10.5 V	21 mA					
Ripple	-						
General	PT, poti, resistance	Thermocouples					
Nominal voltage	DC 24 V						
Operation voltage range	16.8–30 V						
Rated current	approx. 18 mA						
Status Indication	LED green, red (error)						
Input/output protection	Overvoltage DC 30 V, Output short circuit-proof						
Accuracy	(10K: set Measurement range(K)) + 0.2% FSR	(10K: set Measurement range(K)) + 0.4% FSR					
Resolution	16-bit						
Linearity error	± 0.1 % FSR						
Temperaturcompensation intern	-	±1 K typ., max. ±2 K					
Termination	Screw-/spring terminal: 0.14–1.5 mm ²						
Configuration	Switch and software: FDT / DTM						
Temperature error	<100 ppm/K						
Data storage	Flash						
Insulation voltage input/output	AC 2.5 kV _{eff}						
Housing material	PA 6.6 (UL 94 V-0)						
Field installation	rail TS 35 (EN 50022)						
Protection class	IP 20						
Installation position	Optional						
Operation temperature range	-40 °C – 70 °C						
Storage temperature range	-40 °C – 85 °C						
Dimensions (w × h × d)	6.2 × 90.0 × 115.5 mm						
Weight (kg/piece)	0.050						
Approvals	cULus, Class I, Div. 2, Groups A,B,C,D T4						
Accessories	Colour	2-pole	3-pole	4-pole	8-pole	16-pole	PU
6 A jumper comb	red	762802	762805	762812	762822	762832	10
6 A jumper comb	white	762803	762806	762813	762823	762833	10
6 A jumper comb	blue	762804	762807	762814	762824	762834	10
Accessories		Article number	Type				PU
USB service cable		750894	LCON ZB USB				1
Label holder 4×11mm white		681313	BZT-0411				100