

Regolus

Switch - disconnectors

Table of contents



AUTOMATION TECHNOLOGIES



Current rating from 25A up to 160A, panel, base and DIN rail mounting.
Available in the 2, 3 and 4-pole version with central control knob and through shaft.
2 and 3-pole fuse holders for switch-disconnectors up to 32A.

TABLE OF CONTENTS

■ Table of contents	pag.40	■ SE Series: Accessories	pag.57
■ SQ Series: Base mounting	pag.43	■ SQ Series: Characteristic	pag.58
Panel mounting and all complete products	pag.44	■ SE Series: Characteristic	pag.60
■ SE Series: Panel mounting and fuse holders	pag.48	■ SQ Series: Examples of mounting	pag.62
Complete products	pag.50	■ SE Series: Examples of mounting	pag.64
■ Plate for fixing with screws	pag.52	■ SQ Series: Dimensions	pag.65
■ Plate for central fixing \varnothing 22	pag.53	■ SE Series: Dimensions	pag.68
■ SQ Series: Accessories	pag.54	■ Enclosed installation dimensions	pag.70

Regolus

Switch - Disconnectors

Execution overview

SQ025 - SQ032 SERIES

PANEL MOUNTING



Type R - Fixing with screw

- Rated current from 25A to 40A
- Series modular with 3 extensible poles
- Shaft $\square 6$ mm - star shape
- Fixing panel spacing 28 mm horizontal with tapping screws
- Terminal protection class IP20
- Modular power and auxiliary contact

SQ025 - SQ032 SERIES

PANEL MOUNTING



Type S for central hole fixing $\varnothing 22,5$

- Rated current from 25A to 40A
- Series modular with 3 extensible poles
- Fixing panel on central hole $\varnothing 22,5$ mm
- Terminal protection class IP20
- Modular power and auxiliary contact

SQ025 - SQ032 SERIES

BOX - B



Type B for Door interlock

- Rated current from 25A to 40A
- Series modular with 3 extensible poles
- Fixing box on DIN rail - EN 50022-35 or with screws
- Terminal protection class IP20
- Modular power and auxiliary contact
- Type B: Standard
- Type K: Door Interlock with shaft mounting on the command

BOX - K



SQ025 - SQ032 SERIES

BOX - D



Type D - L1N direct command

- Rated current from 25A to 40A
- Series modular with 3 extensible poles
- Fix box on DIN - DIN-EN 50022-35 or with screw
- Complete with locking knob (1 lck)
- Terminal protection class IP20
- Modular power and auxiliary contact



Regolus

Switch - Disconnectors

Execution overview

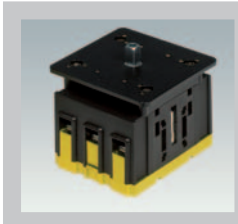


AUTOMATION TECHNOLOGIES

SQ040 - SQ063 SERIES

PANEL MOUNTING

Type R - Fixing with screw



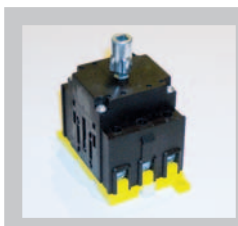
- Rated current from 63A to 80A
- Series modular with 3 extensible poles
- Independent manual operator - snap action
- Control Shaft □ 6 mm
- Fixing panel on distance □ 36 mm vertical - with screw self-tapping
- Terminal protection class IP20
- Modular power and auxiliary contact



SQ040 - SQ063 SERIES

BOX

Type B - Standard for door interlock



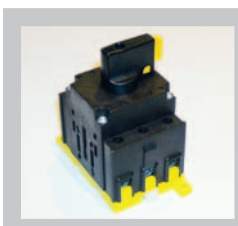
- Rated current from 63A to 80A
- Series modular with 3 extensible poles
- Independent manual operator - snap action
- Fix box on DIN - DIN-EN 50022-35 or with screw
- Terminal protection class IP20
- Modular power and auxiliary contact



SQ040 - SQ063 SERIES

BOX

Type D - L2N - direct command



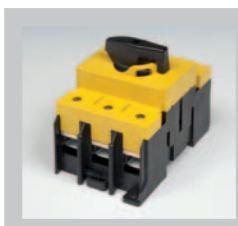
- Rated current from 63A to 80A
- Series modular with 3 extensible poles
- Independent manual operator - snap action
- Fix box on DIN - DIN-EN 50022-35 or with screw
- Complete of command to knob with locking (1 lck)
- Terminal protection class IP20
- Modular power and auxiliary contact



SQ125 - SQ160 SERIES

BOX

Type D - L2N Direct Command and Standard for door interlock



- Rated current from 125A to 160A
- Modular series with 3 extensible poles
- Central Shaft □ 5 mm
- Fix box on DIN - DIN-EN 50022-35 or with screw
- Complete of locked knob (1 lck) developed for door interlock command
- Modular power and auxiliary contact



Regolus

Switch - Disconnectors

Execution overview

SE16 - SE32 SERIES

PANEL MOUNTING - R



Type R - Fixing with screw - Type S - central fixing \varnothing 22,5

- Rated current from 32A to 40A
- Series with 4 poles
- Star shape control shaft \square 6 mm
- Terminal protection class IP20
- matching with auxiliares contacts
- **Type R:** Fixing panel on distant spacing 28 mm horizontal with
- **Type S:** Fixing panel on central hole \varnothing 22,5

PANEL MOUNTING - S



SE16 - SE32 SERIES

BOX



Type B for standard Door interlock

- Rated current from 32A to 40A
- Series with 4 poles
- Throghout metal shaft \square 5mm
- Fixing box on DIN RAIL EN 50022-35
- Terminal protection class IP20
- matching with auxiliares contacts

SE63 - SE100 SERIES

PANEL MOUNTING



Type R - Fixing with screw

- Rated current from 63A to 100A
- Series with 4 poles
- Throghout metal shaft \square 6mm
- Fixing panel on distant 36 mm with metric screws
- Terminal protection class IP20

SE63 - SE100 SERIES

BOX



Type B for standard Door interlock

- Rated current from 63A to 100A
- Series with 4 poles
- Throghout metal shaft \square 6 mm
- Fixing box DIN RAIL DIN-EN 50022-35 or with screws
- Terminal protection class IP20

Regolus

Switch - Disconnectors

SQ Series - Switch body



AUTOMATION TECHNOLOGIES

BASE MOUNTING



Base mounting

- Type B
- Fixing box DIN RAIL DIN-EN 50022-35
- Standard Enclosures for commands, door locking with shaft fixing details



Base mounting

- Type K
- Fixing box DIN RAIL DIN-EN 50022-35
- Standard Enclosures for commands, door locking with shaft fixing on the command

SERIES	AC-21A AMP. 690V	AC-23A AMP. 400V	DIAGRAMS		EXECUTION TYPE B		EXECUTION TYPE K	
	32	25	2 POLES	3 POLES	2 POLES	3 POLES	2 POLES	3 POLES
SQ025	32	25			SQ025002B	SQ025003B	SQ025002K	SQ025003K
SQ032	40	32			SQ032002B	SQ032003B	SQ032002K	SQ032003K

PANEL MOUNTING



Panel mounting

- Type R
- For screw fixing



Panel mounting

- Type R
- Fixing panel on central hole \varnothing 22.5

SERIES	AC-21A AMP. 690V	AC-23A AMP. 400V	DIAGRAMS		EXECUTION TYPE R		EXECUTION TYPE S	
	32	25	2 POLES	3 POLES	2 POLES	3 POLES	2 POLES	3 POLES
SQ025	32	25			SQ025002R	SQ025003R	SQ025002S	SQ025003S
SQ032	40	32			SQ032002R	SQ032003R	SQ032002S	SQ032003S



Base mounting

- Type B
- Fixing box DIN RAIL DIN-EN 50022-35
- Standard Enclosures for commands, door locking with shaft fixing details



Panel mounting

- Type R
- For screw fixing

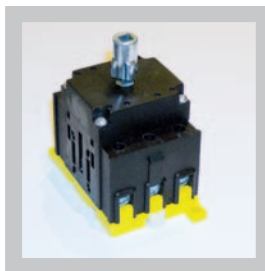
SERIES	AC-21A AMP. 690V	AC-23A AMP. 400V	DIAGRAMS		6 POLES SWITCH		CHANGEOVER	
			6 POLES	3 POLES	BOX	PANEL MOUNTING	BOX	PANEL MOUNTING
SQ025	32	25			SQ025006B	SQ025006R	SQ025033B	SQ025033R
SQ032	40	32			SQ032006B	SQ032006R	SQ032033B	SQ032033R

Regolus

Switch - Disconnectors

SQ Series - Switch body - Complete devices

BASE MOUNTING



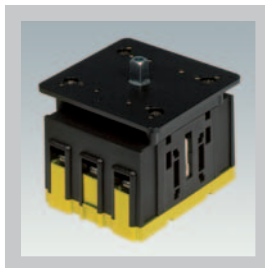
Box mounting

- Type B
- Din rail
DIN-EN 50022-35
- Standard Enclosures for door locking devices



SERIES	AC-21A AMP. 690V	AC-23A AMP. 400V	DIAGRAMS		EXECUTION TYPE B	
			2 POLES	3 POLES	2 POLES	3 POLES
SQ040	63	50			SQ040002B	SQ040003B
SQ063	80	67			SQ063002B	SQ063003B

PANEL MOUNTING FOR REAR FIXING



Panel mounting

- Type R
- Fixing with screws



SERIES	AC-21A AMP. 690V	AC-23A AMP. 400V	DIAGRAMS		EXECUTION TYPE R	
			2 POLES	3 POLES	2 POLES	3 POLES
SQ040	63	50			SQ040002R	SQ040003R
SQ063	80	67			SQ063002R	SQ063003R

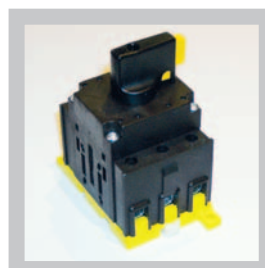
BASE FIXING WITH DIRECT COMMAND - Complete devices



Direct command

- Type D - L1N
- Box fixing or DIN RAIL
DIN-EN 50022-35
- Black Knob locking in O/OFF position

SQ025 - SQ032 Series



Direct command

- Type D - L2N
- Box fixing or Din rail
DIN-EN 50022-35
for 46 mm din panel
- Black Knob locking in O/OFF position

SQ040 - SQ063 Series

SERIES	AC-21A AMP. 690V	AC-23A AMP. 400V	DIAGRAMS		EXECUTION TYPE D...	
			2 POLES	3 POLES	2 POLES	3 POLES
SQ025	32	25			SQ025002DL1N	SQ025003DL1N
SQ032	40	32			SQ032002DL1N	SQ032003DL1N
SQ040	63	50			SQ040002DL2N	SQ040003DL2N
SQ063	80	67			SQ063002DL2N	SQ063003DL2N

Regolus

Switch - Disconnectors

SQ125 - SQ160 Series



AUTOMATION TECHNOLOGIES

BASE FIXING WITH DIRECT COMMAND



Direct command

- Type D - L2N
- Box fixing or DIN RAIL
DIN-EN 50022-35
- Black Knob locking (1 lck) in O/OFF position



SQ125 - SQ160 Series

SERIES	AC-21A	AC-23A	DIAGRAMS		ENCLOSURE TYPE D - L2N	
	AMP. 690V	AMP. 400V	3 POLES	4 POLES	3 POLES	4 POLES
SQ125	125	125			SQ125003DL2N	SQ125004DL2N
SQ160	160	160			SQ160003DL2N	SQ160004DL2N

DOOR INTERLOCKS COMMAND



- 67
Locking knob (max.3)
- Black front plate - black knob:
230/0001
- Yellow front plate - red knob:
231/0001



- 92
Locking knob (max.3)
- Black front flange - black knob:
232/0001
- Yellow front flange - red knob:
233/0001

SQ125 - SQ160		230/0001	SQ125 - SQ160		232/001
		231/0001			233/001

ELECTRICAL CHARACTERISTIC

CHARACTERISTICS IEC/EN60947-3		SQ125	SQ160	Aux.
Rated insulation voltage U_i	V	800	800	250
Rated impulse withstand voltage U_{imp}	kV	8	8	-
Rated Thermal current 40° I _{th} -I _{the}	A	125	160 (200*)	12
RATED OPERATING CURRENT I_e: alternate current				
AC-21A Switching resistive loads with light overloads	690V A	125	160 (200*)	AC-15 415V - 3A
AC-22A Switching mixed resistive and inductive loads with light overloads	690V A	125	160	
AC-23A Periodic Switching of motors	3 phase - 3 pole			
	415V A/kW	125/55	160/75	
	500V A/kW	100/63	125/80	
	690V A/kW	80/75	100/90	
DC-23	48V A	125	160	-
2 pole serial connection	110V A	125	125	-
	220V A	100	100	-
Reated breaking capacity AC-23A (cosφ 0,35)	415V A	1000	1280	-
Conditional rated short circuit	kA	10,5	10,5	-
Fuse rating gG	A	125	125	-
Rated short-time short circuit withstand current I _{cw} (1s)	kA	3	3	-
Power dissipated for pole	W	2,5	3	-
Connectable section	mm ²	10÷70	10÷70	2,5
Mechanical life	Nr. of cycles	15.000	15.000	500.000

* with add terminals 95 mm

Regolus

Switch - Disconnectors

SQ Series - Complete devices

IP65 □ THERMOPLASTIC ENCLOSURES



C01 (120X100X85)

- Open cover in "O" position
- For n°8 cable gland Pg 16 + n°2 closed holes down
- Heat-resistant material
- Box in black - grey cover RAL 7035



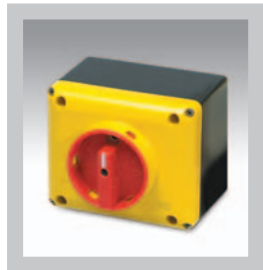
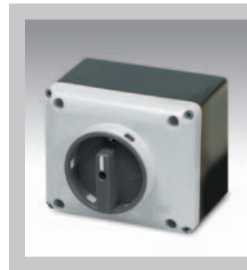
E01 (130X180X106)

- Open cover in "O" position
- For n°4 cable gland M25/M32 + n°2 closed holes down ø 22,5
- Heat-resistant material
- Box in black - grey cover RAL 7035

SERIES	AC-21A AMP. 690V		AC-23A AMP. 400V		DIAGRAMS		C01		E01	
	32	40	25	32	3 POLES	6 POLES	3 POLES	6 POLES	3 POLES	6 POLES
SQ025	32		25				SQ025003BC01	-	SQ025006BE01	
SQ032	40		32				SQ032003BC01	-	SQ032006BE01	
SQ040	63		50				-	SQ040003BE01	-	
SQ063	80		67				-	SQ063003BE01	-	

C09 - C10 (120X100X85)

- Open cover in "O" position
- For n°8 cable gland Pg 16 + n°2 closed holes down
- Heat-resistant material
- Locking in O/OFF (max 3 lock)
- Black front flange - Grey cover - Black knob: **C09**
- Yellow front flange - Red knob: **C10**



SERIES	AC-21A AMP. 690V		AC-23A AMP. 400V		DIAGRAMS		C09		C10	
	32	40	25	32	3 POLES	6 POLES	3 POLES	6 POLES	3 POLES	6 POLES
SQ025	32		25				SQ025003BC09	-	SQ025003BC10	
SQ032	40		32				SQ032003BC09	-	SQ032003BC10	

E09 - E10 (130X180X106)

- Open cover in "O" position
- For n°4 cable gland M25/M32 + n°2 closed holes down ø 22,5
- Heat-resistant material
- Locking in O/OFF (max 3 lock)
- Black front flange - Black knob: **E09**
- Yellow front flange - Red knob: **E10**



SERIES	AC-21A AMP. 690V		AC-23A AMP. 400V		DIAGRAMS		E09		E10	
	32	40	25	32	3 POLES	6 POLES	3 POLES	6 POLES	3 POLES	6 POLES
SQ025	32		25				-	SQ025006BE09	-	SQ025006BE10
SQ032	40		32				-	SQ032006BE09	-	SQ032006BE10
SQ040	63		50				SQ040003BE09	-	SQ040003BE10	-
SQ063	80		67				SQ063003BE09	-	SQ063003BE10	-

Regolus

Switch - Disconnectors

SQ Series - Complete devices



AUTOMATION TECHNOLOGIES

IP65 - METAL - BOX ENCLOSURES

A09 - A10 (105X140X85)

- Open cover in "O" position
- For n°4 cable glands M25/M32 + n°2 hole plugs M20 and M25
- Material Zn - Al
- Locking in O/OFF (max 3 lock)
- Black Box - Grey front flange - Black knob: **A09**
- Black Box - Yellow front flange - Red knob: **A10**



SERIES	DIAGRAMS		A09		A10	
	AC-21A AMP. 690V	AC-23A AMP. 400V	3 POLES		3 POLES	
SQ025	32	25	SQ025003DA09		SQ025003DA10	
SQ032	40	32	SQ032003DA09		SQ032003DA10	

AB9 - ABO (150X200X110)

- Open cover in "O" position
- N°2 hole plugs M40
- Material Zn - Al
- Locking in O/OFF (max 3 lock)
- Black Box - Grey front flange - Black knob: **AB9**
- Black Box - Yellow front flange - Red knob: **ABO**



SERIES	DIAGRAMS		AB9		ABO	
	AC-21A AMP. 690V	AC-23A AMP. 400V	3 POLES	4 POLES	3 POLES	4 POLES
SQ040	63	50	SQ040003DAB9	SQ040004DAB9	SQ040003DAB0	SQ040004DAB0
SQ063	80	63	SQ063003DAB9	SQ063004DAB9	SQ063003DAB0	SQ063004DAB0

Regolus

Switch - Disconnectors

SE Series - Switch body

BASE FIXING



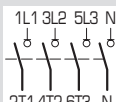
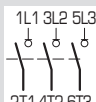
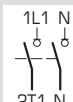
Base fixing
Type B
Base fixing or Din rail
DIN-EN 50022-35
Door locking execution
SE16 - SE32



Base fixing
Type B
Base fixing or Din rail
DIN-EN 50022-35 or with screws
Door locking execution
SE63 - SE80 - SE100

DIAGRAMS

SERIES	AC-21A	AC-23A
	AMP. 690V	AMP. 400V
SE16	32	25
SE32	40	32
SE63	63	50
SE80	80	60
SE100	100	67



2 POLES

3 POLES

4 POLES

EXECUTION TYPE B

2 POLES	3 POLES	4 POLES
SE1610F2B	SE163003B	SE163004B
SE3210F2B	SE323003B	SE323004B
SE630002B	SE630003B	SE630004B
SE800002B	SE800003B	SE800004B
SE1000002B	SE1000003B	SE1000004B

PANEL MOUNTING



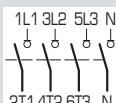
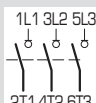
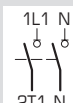
Panel mounting
Type R
Fixing with screws
SE16 - SE32



Panel mounting
Type R
Fixing with screws
SE63 - SE80 - SE100

DIAGRAMS

SERIES	AC-21A	AC-23A
	AMP. 690V	AMP. 400V
SE16	32	25
SE32	40	32
SE63	63	50
SE80	80	60
SE100	100	67



2 POLES

3 POLES

4 POLES

EXECUTION TYPE R

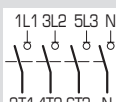
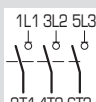
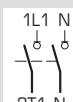
2 POLES	3 POLES	4 POLES
SE1610F2R	SE163003R	SE163004R
SE3210F2R	SE323003R	SE323004R
SE630002R	SE630003R	SE630004R
SE800002R	SE800003R	SE800004R
SE1000002R	SE1000003R	SE1000004R



Panel mounting
Type S
Central fixing hole \varnothing 22.5
SE16 - SE32

DIAGRAMS

SERIES	AC-21A	AC-23A
	AMP. 690V	AMP. 400V
SE16	32	25
SE32	40	32



2 POLES

3 POLES

4 POLI

EXECUTION TYPE S

2 POLES	3 POLES	4 POLES
SE1610F2S	SE163003S	SE163004S
SE3210F2S	SE323003S	SE323004S

Regolus

Switches - Disconnectors with fuses holders

SE Series - Panel mounting bases



AUTOMATION TECHNOLOGIES

PANEL MOUNTING BASES FOR ENCLOSURES



DISCONNECTOR WITH FUSE-HOLDERS

Type B box
DIN EN 50022-35
rail mounting for door
interlocks knobs
Sectionable fuses holders
For cylindrical fuses
10.3x3 8mm UL

FS20 - FS30



SECTIONABLE FUSES HOLDER

For disconnectors series
SE16-SE32 2-3-4 poles type B box
For cylindrical fuses 10.3x38
mm max. 32A
IP20 terminals protection

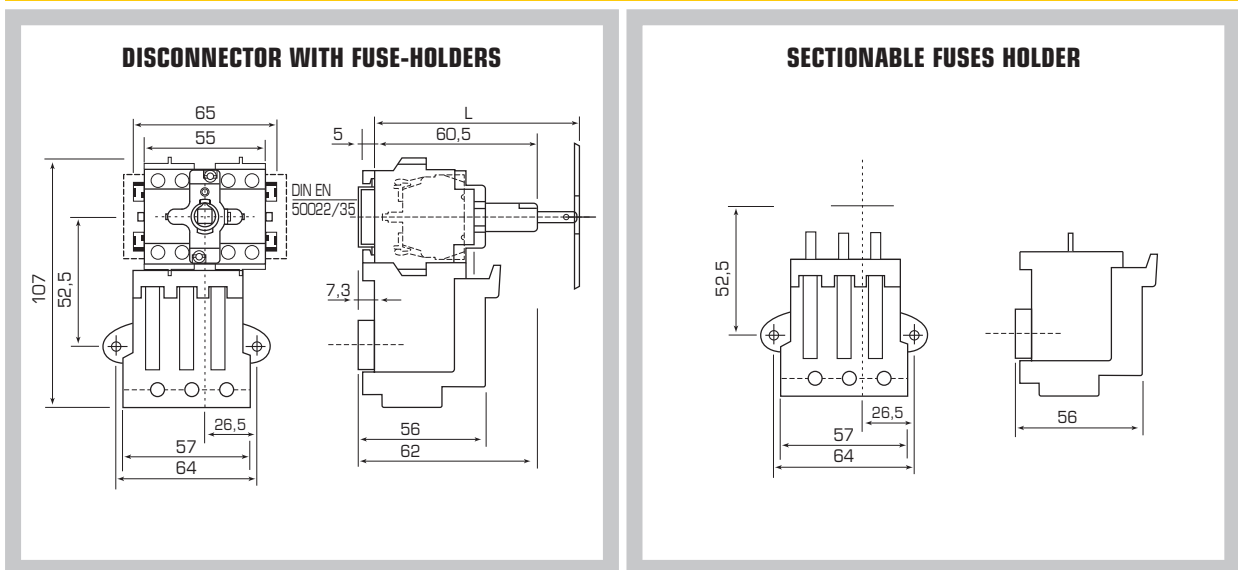
TF322 - TF323

DISCONNECTOR WITH FUSE-HOLDERS

FUSE-HOLDERS

SERIES	AC-21A AMP. 690V	UL GENERAL USE AMP./600V	2 POLES		3 POLES		4 POLES		2 POLES		3 POLES	
			Diagram 1	Diagram 2	Diagram 1	Diagram 2	Diagram 1	Diagram 2	Diagram 1	Diagram 2	Diagram 1	Diagram 2
FS20	25	20	FS2010F2B	FS203003B	FS203004B	TF322	TF323					
FS30	32	30	FS3010F2B	FS303003B	FS303004B							

OVERALL DIMENSIONS



MOUNTING DEPTH

	WITH STANDARD SHAFT	WITH SHAFT EXECUTION 20401089
L min.	80	80
L max.	120	220

Regolus

Switches - Disconnectors

SE Series - Complete devices

IP65 □ THERMOPLASTIC ENCLOSURES



C01 (120X100X85)

- Opening in "O" position
- Nr. 8 Pg16 knock-outs of which nr. 2 on the bottom
- Heat-resistant material
- Black box - Grey cover
RAL 7035



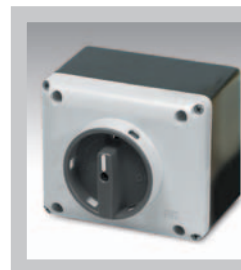
E01 (130X180X106)

- Opening in "O" position
- Nr. 4 knock-outs M25/M32 + nr. 2 ø 22 mm closed hole on the bottom
- Heat-resistant material
- Black box - Grey cover
RAL 7035

SERIES	AC-21A AMP. 690V	AC-23A AMP. 400V	DIAGRAMS		C01		E01	
			3 POLES	4 POLES	3 POLES	4 POLES		
SE16	32	25			SE160003BC01	SE160004BC01	-	-
SE32	40	32			SE320003BC01	SE320004BC01	-	-
SE63	63	50			-	-	SE630003BE01	SE630004BE01
SE80	80	60			-	-	SE800003BE01	SE800004BE01

C09 - C10 (120X100X85)

- Opening in "O" position
- Nr. 8 Pg16 cable glands of which nr. 2 on the bottom
- Heat-resistant material
- With locking facility in O/OFF (max 3 padlocks)
- Black box - Grey cover - Black knob: **C09**
- Black box - Yellow cover - Red knob: **C10**



SERIES	AC-21A AMP. 690V	AC-23A AMP. 400V	DIAGRAMS		C09		C10		
			3 POLES	4 POLES	3 POLES	4 POLES			
SE16	32	25			SE160003BC09	SE160004BC09	SE160003BC10	SE160004BC10	
SE32	40	32			SE320003BC09	SE320004BC09	SE320003BC10	SE320004BC10	

E09 - E10 (130X180X106)

- Opening in "O" position
- Nr. 4 M25/M32 cable glands + nr. 2 ø 22 mm closed hole on the bottom
- Heat-resistant material
- With locking facility in O/OFF (max 3 padlocks)
- Black box - Grey cover - Black knob: **E09**
- Black box - Yellow cover - Red knob: **E10**



SERIES	AC-21A AMP. 690V	AC-23A AMP. 400V	DIAGRAMS		E09		E10		
			3 POLES	4 POLES	3 POLES	4 POLES			
SE63	63	50			SE630003BE09	SE630004BE09	SE630003BE10	SE630004BE10	
SE80	80	60			SE800003BE09	SE800004BE09	SE800003BE10	SE800004BE10	

Regolus

Switches - Disconnectors

SE Series - Complete devices



AUTOMATION TECHNOLOGIES

IP65 □ THERMOPLASTIC ENCLOSURES

C41 - C42 (140X230X114)

- Opening in "O" position
- Complete with nr.2 M32 and nr. 2 M40 hole plugs
- Heat-resistant material
- With locking facility in O/OFF (max 3 padlocks)
- Black box - Yellow cover - Red knob: **C41**
- Black box - Grey cover - Black knob: **C42**



SERIES	AC-21A	AC-23A	DIAGRAMS		C41		C42	
	AMP. 690V	AMP. 400V			3 POLES	4 POLES	3 POLES	4 POLES
SE100	100	67			SE1000003BC41	SE1000004BC41	SE1000003BC42	SE1000004BC42

IP65 METAL ENCLOSURES

A09 - A10 (105X140X85)

- Opening in "O" position
- Complete with nr. 2 M20 and nr. 2 M25 hole plugs
- Zn - Al material
- With locking facility in O/OFF (max 3 padlocks)
- Black box - Grey cover - Black knob: **A09**
- Black box - Yellow cover - Red knob: **A10**



SERIES	AC-21A	AC-23A	DIAGRAMS		A09		A10	
	AMP. 690V	AMP. 400V			3 POLES	4 POLES	3 POLES	4 POLES
SE16	32	25			SE160003BA09	SE160004BA09	SE160003BA10	SE160004BA10
SE32	40	32			SE320003BA09	SE320004BA09	SE320003BA10	SE320004BA10

AB9 - ABO (150X200X110)

- Opening in "O" position
- Complete with nr.2 M40 hole plugs
- Zn - Al material
- With locking facility in O/OFF (max 3 padlocks)
- Black box - Grey cover - Black knob: **AB9**
- Black box - Yellow cover - Red knob: **ABO**









SERIES	AC-21A	AC-23A	DIAGRAMS		AB9		ABO	
	AMP. 690V	AMP. 400V			3 POLES	4 POLES	3 POLES	4 POLES
SE63	63	50			SE630003BA09	SE630004BA09	SE630003BABO	SE630004BABO
SE80	80	60			SE800003BA09	SE800004BA09	SE800003BABO	SE800004BABO
SE100	100	67			SE1000003BA09	SE1000004BA09	SE1000003BABO	SE1000004BABO

Regolus

Plates - screw fixing

Panel mounting bases Type R - door interlock for Type B and K bases

EN60529 IP65 - UL50 Type 1 - 4 - 4x (*) NEMA 4X PROTECTION

	DESCRIPTION	FOR SERIES	PANEL MOUNTING	DOOR INTERLOCK	
			FOR TYPE R BASES	FOR TYPE B BASES	FOR TYPE K BASES
	Grey plate Black knob	SQ025 - SQ032	001/0001	020/0001	-
		SE16 - SE32			-
□48					
	Grey plate Black knob With locking facility	SQ025 - SQ032	♦003/0001	♦005/0001	-
		SE16 - SE32			-
□48					
	Grey plate Black knob With locking facility (Max3)	SQ025 - SQ032	♦009/0001	♦011/0001	-
		SE16 - SE32			091/0001
		SQ040 - SQ063	♦049/0001	♦041/0001	-
		SE63.....SE100			-
□67					
	Yellow plate Red knob	SQ025 - SQ032	002/0001	030/0001	-
		SE16 - SE32			-
□48					
	Yellow plate Red knob With locking facility	SQ025 - SQ032	♦004/0001	♦006/0001	-
		SE16 - SE32			-
□48					
	Yellow plate Red knob With locking facility (Max3)	SQ025 - SQ032	♦010/0001	♦012/0001	-
		SE16 - SE32			-
		SQ040 - SQ063	♦050/0001	♦042/0001	-
		SE63.....SE100			-
□67					

♦ See p/n devices

Regolus







Plates - ø 22 hole central fixing

Panel mounting bases S Type - door interlock for B Type



AUTOMATION TECHNOLOGIES

EN60529 IP65 - UL50 Type 1 - 4 - 4x (*) NEMA 4X PROTECTION

	DESCRIPTION	FOR SERIES	PANEL MOUNTING	DOOR INTERLOCK
			FOR TYPE S BASES	FOR TYPE B BASES
	Grey plate Black knob □48	SQ025 - SQ032	079/0001	095/0001
		SE16 - SE32	079/0001	
	Grey plate Black knob With locking facility □48	SQ025 - SQ032	♦ 087/0001	♦ 077/0001
		SE16 - SE32	♦ 087/00E1	
	Grey plate Black knob With locking facility (Max3) □67	SQ025 - SQ032	♦ 089/0001	♦ 063/0001
		SE16 - SE32	♦ 089/00E1	
		SQ040 - SQ063	-	♦ 065/0001
		SE63.....SE100	-	
	Yellow plate Red knob □48	SQ025 - SQ032	080/0001	070/0001
		SE16 - SE32	080/0001	
	Yellow plate Red knob With locking facility □48	SQ025 - SQ032	♦ 088/0001	♦ 069/0001
		SE16 - SE32	♦ 088/00E1	
	Yellow plate Red knob With locking facility (Max3) □67	SQ025 - SQ032	♦ 090/0001	♦ 064/0001
		SE16 - SE32	♦ 090/00E1	
		SQ040 - SQ063	-	♦ 066/0001
		SE63.....SE100	-	

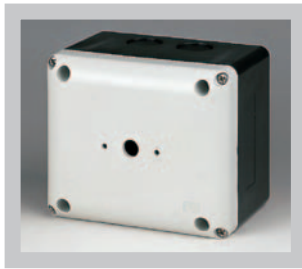
♦ See p/n devices

Regolus

Switch - Disconnectors

SQ025 - SQ032 Series - Accessories

IP65 - THERMOPLASTIC BOX

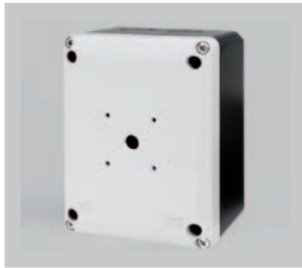


For SQ025 - SQ032 Series
For Panel mounting basis type "R"
Black Box - Grey Cover
RAL 7035
Dimensions: 120X100X85 mm
For nr. 8 M20 cable glands
M20



SQ025 - SQ032 Series **4 Poles Max.** **BF3/FNGO**

IP65 - THERMOPLASTIC BOX

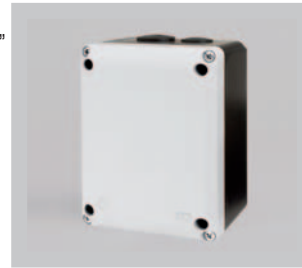


For SQ025-SQ032 Series
For Bodies-Panel mounting type "R"
Black Box - Grey Cover
RAL 7035
Dimensions: 130X180X106 mm
For n°4 cable glands
M25/M32



SQ025 - SQ032 Series **6 Poles Max.** **BF4/DNGO**

IP65 - METAL BOX - CLOSED



For SQ025-SQ032 Series
For Bodies-Panel mounting type
"B" and "R"
Black Box - Grey Cover
RAL 7035
Dimensions: 105X140X85 mm
For n°2 M20 and
n°2 M25 cable glands



SQ025 - SQ032 Series **4 Poles Max.** **BFA/ONGA**

ADDITIONAL POLES



SERIES	DIAGRAM	CODE - BOX	CODE - PANEL MOUNTING
SQ025		SQ025AFPB	SQ025AFPR
		SQ032AFPB	SQ032AFPR
SQ032		SQ025ANIB	SQ025ANIR
		SQ032ANIB	SQ032ANIR
		SQ025ANPB	SQ025ANPR
		SQ032ANPB	SQ032ANPR
		SQ025APEB	SQ025APER
		SQ032APEB	SQ032APER

AUXILIARY CONTACTS



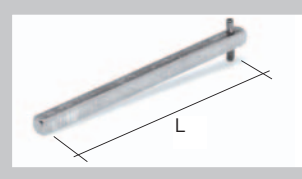
SERIES	DIAGRAM	CODE - BOX	CODE - PANEL MOUNTING
SQ025		SQ010AS1B	SQ010AS1R
			SQ010AS2B

TERMINAL PROTECTION



BOX	PANEL MOUNTING	BOX AND PANEL MOUNTING
20900023	20900024	20900025

SHAFT EXTENSION 5 DOOR INTERLOCK BASIS TYPE B



FOR INTERLOCK BASIS TYPE B	
L 185 mm	20401089
L 300 mm	20401164

FIXING KEY



PCF

Regolus

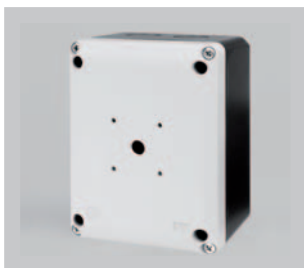
Switch - Disconnectors

SQ040 - SQ063 Series - Accessories



AUTOMATION TECHNOLOGIES

IP65 - THERMOPLASTIC BOX

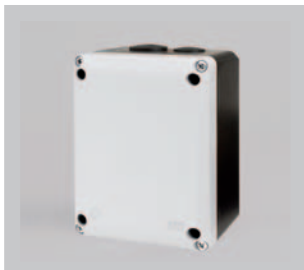


For SQ040 - SQ063 Series
For Panel mounting basis type "R"
Black Box - Grey Cover
RAL 7035
Dimensions: 130x180x106 mm.
For nr. 4 M25/M32 cable glands



SQ040 - SQ063 Series **4 Poles Max.** BFA/DNGO

IP 65 - METAL BOX - CLOSED

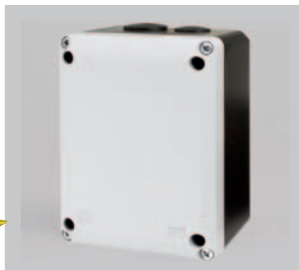


For SQ040 - SQ063 Series
For Bodies-Panel mounting
type "R"
Black Box - Grey Cover
RAL 7035
Dimensions: 105x140x85 mm.
Complete with nr. 2
M40 cable glands



SQ040 - SQ063 Series **3 Poles Max.** BNA/ONGA

IP 65 - METAL BOX - CLOSED



For SQ040 - SQ063 Series
For Bodies-Panel mounting type
"B" and "R"
Black Box - Grey Cover
RAL 7035
Dimensions: 150x200x110 mm.
Complete with nr. 2
cable glands M40



SQ040 - SQ063 Series **4 Poles Max.** BNA/ENGA

ADDITIONAL POLES



SERIES	DIAGRAM	CODE - BOX	CODE - PANEL MOUNTING
SQ040		SQ040AFPB	SQ040AFPR
		SQ040ANIB	SQ040ANIR
SQ063		SQ063ANIB	SQ063ANIR
		SQ040ANPB	SQ040ANPR
		SQ063ANPB	SQ063ANPR
		SQ040APEB	SQ040APER
		SQ063APEB	SQ063APER



AUXILIARY CONTACTS



SERIES	DIAGRAM	CODE - BOX	CODE - PANEL MOUNTING
SQ040		SQ010AS3B	SQ010AS3R
SQ063		SQ010AS4B	SQ010AS4R

TERMINAL PROTECTION



SQ040 - SQ063 SERIES
3 POLES

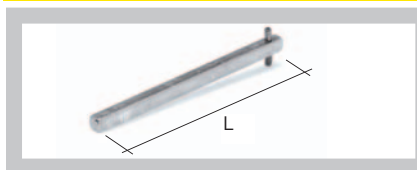
BOX AND PANEL MOUNTING
20900041



SQ040 - SQ063 SERIES
1 POLE

BOX AND PANEL MOUNTING
20900040

SHAFT EXTENSION 6 FOR DOOR INTELLOCK



SQ040 - SQ063 SERIES

L 185 mm	20900010
L 300 mm	20900011



Regolus

Switch - Disconnectors

SQ125 - SQ160 Series - Accessories

ADDITIONAL POLES



SERIES	DIAGRAM	CODE
SQ125	7 — 8	SQ160AFPB
SQ160	N — N	SQ160ANPB
	PE — PE	SQ160APEB



AUXILIARIES CONTACTS



SERIES	DIAGRAM	CODE
SQ125	1 — 2 — 4	SQ003AS5B
SQ160		

COVER-CLAMP



3 POLES

20900034

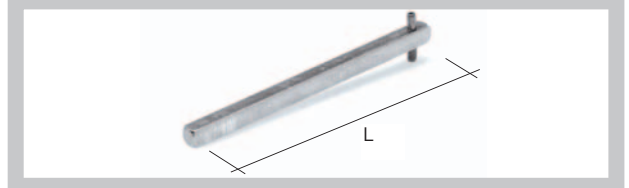


1 POLE

20900035



SHAFT EXTENTION 6 FOR DOOR INTELOCK



SQ040 - SQ063 SERIES

L 185 mm

20900010

L 300 mm

20900011

CLAMP 95 mm²



20900036



Regolus

Switch - Disconnectors

SE16 - SE100 Series - Accessories



AUTOMATION TECHNOLOGIES

IP65 - THERMOPLASTIC BOX



For SE16 - SE32 Series
For Panel mounting basis type "B"
Black Box - Grey Cover
RAL 7035
Dimensions: 120X100X85 mm
For nr. 8 M20 cable glands
Order also:
Shaft 11706237
Plate support 11814005

SE16 - SE32...B SERIES
BF1/1NGO



For SE16 - SE32 Series
For Panel mounting basis type "R"
Black Box - Grey Cover
RAL 7035
Dimensions: 120X100X85 mm
For nr. 8 M20 cable glands

SE16 - SE32...R SERIES
BF1/2NGO

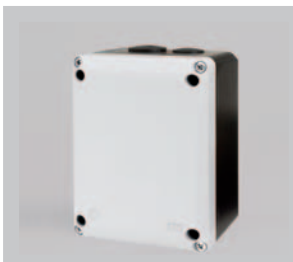
IP65 - THERMOPLASTIC BOX - CLOSED



For SE16 - SE32 Series
For Panel mounting basis type "R"
Black Box - Grey Cover
RAL 7035
Dimensions: 120X100X85 mm
For nr. 8 M20 cable glands

SE16 - SE32...R SERIES
BN1/ONGO

IP65 - ALUMINIUM BOX - CLOSED



For SE16 - SE32 Series
For Panel mounting basis type B and R
Black Box - Grey Cover
RAL 7035
Dimensions: 105X140X85 mm
Complete with nr. 2 M20 and M25 cable glands taps

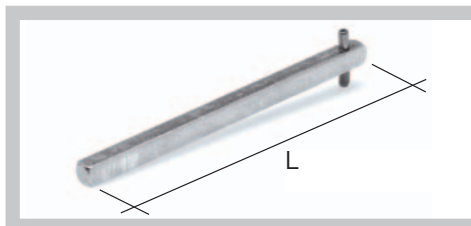
SE16 - SE32 SERIES
BNA/ONGA

BOX FIXING PLATE



SE16-SE32 SERIES
11814005

SHAFT EXTENTION FOR BOX EXECUTION



	SE16-SE32	SE63...SE100
L 185 mm	20401089	20900010
L 300 mm	20401164	20900011

BOX SHAFT BF1/1NGO



SE16-SE32 SERIES
11706237

AUXILIARIES CONTACTS



SE16 - SE32 SERIES
1 NC PLO04001
1 NO PLO04002

AUXILIARY CONTACT FIXING PLATE



SE16 - SE32 SERIES
11814021

COVER-CLAMP



SE63...SE100 SERIES
4 POLES BOX AND PANEL MOUNTING
20900003

Regolus

Switch - Disconnectors - SQ Series

Electrical characteristics

EN 60947-3 CHARACTERISTICS			SQ025	SQ032	SQ040	SQ063	AUXILIARIES CONTACTS
Rated operating voltage Ue	V		690	690	690	690	690
Rated insulation voltage Ui	V		690	690	690	690	690
Rated impulse withstand voltage Uimp (sectionable)	kV		8	8	8	8	4
Rated thermal current Ith	A		32	40	63	80	16
Rated thermal current in enclosed Ithe	A		32	40	63	80	10
Frequency	Hz		50/60	50/60	50/60	50/60	50/60
RATED OPERATING CURRENT Ie: alternate current							
AC-21A Switching resistive loads with light overloads	690V	A	32	40	63	80	AC-15 240V - 5A
AC-22A Switching mixed resistive and inductive loads at light overloads	500V	A	-	-	-	-	DC-13 250V-0,44A
	690V	A	25	32	63	80	
AC-23A Periodic switching of motors 3 phase - 3 poles	230V	A/kW	25/7,5	32/10	63/20	80/25	-
	400V	A/kW	25/15	32/18,5	50/28	75/42	-
	500V	A/kW	25/15	32/22	50/35	75/52	-
	690V	A/kW	16/15	20/18,5	26/25	32/31	-
AC3 Starting of cage motors (interruption while running) 3 phase - 3 poles	230V	A/kW	22/5,5	27/7,5	45/14	60/19	-
	400V	A/kW	22/11	27/15	40/22	55/30	-
	500V	A/kW	22/11	27/18,5	35/24	45/31	-
	690V	A/kW	16/11	20/15	22/21	25/24	-
Nominal interruption power AC-23A (cosφ 0,45)	230V	A	200	256	360	600	-
	400V	A	200	256	320	536	-
	500V	A	200	256	280	536	-
	690V	A	128	160	176	256	-
SHORT CIRCUIT CHARACTERISTICS							
Rated short-time short circuit withstand current Icw (1s)	A		800	800	1200	1500	-
Rated short circuit making capacity Icm	A		1500	1500	2200	2800	-
Conditional rated short circuit withstand current	kA		10	10	10 5	10 5	1
Fuse rating gG	500V	A	-	-	-	-	10
	690V	A	40	40	63 80	63 80	-
UL 508 CHARACTERISTICS							
General use	600V ac	A	32	40	60	80	HD A600 ac G600 dc
Standard motors load	Single phase - 2 poles	120V ac HP(FLA)	1,5 (20)	2 (24)	-	-	-
		200: 208V ac HP	2	3	-	-	-
		240V ac HP(FLA)	3 (17)	5 (28)	-	-	-
		200: 208V ac HP	7,5	10	15	20	-
	3 phase - 3 poles	240V ac HP(FLA)	7,5 (22)	10 (28)	15	20	-
		480V ac HP(FLA)	10 (14)	15 (21)	30	40	-
		600V ac HP(FLA)	15 (17)	20 (22)	30	40	-

Regolus

Switch - Disconnectors - SE Series

Electrical characteristics

EN 60947-3 CHARACTERISTICS

		SE16	SE32	SE63	SE80	SE100
Rated operating voltage U _e	V	690*	690*	690	690	690
Rated insulation voltage U _i	V	690*	690*	690	690	690
Rated impulse withstand voltage U _{imp} (sectionable)	kV	4*	4*	8	8	8
Rated thermal current I _{th}	A	(30*) 32	40*	63*	86*	100
Rated thermal current in enclosed I _{the}	A	(30*) 32	40*	63*	86*	86
Frequency	Hz	50	50	50	50	50

RATED OPERATING CURRENT I_e: alternate current

AC-21A Switching resistive loads with light overloads	690V	A	(30*) 32	(32*) 40	63*	80*	100
AC-22A Switching mixed resistive and inductive loads at light overloads	500V	A	-	-	-	-	100
	690V	A	(20*) 25	32*	63*	80*	86
AC-23A Periodic switching of motors 3 phase - 3 poles	230V	A/kW	25/7.5	32/10	50/15	63/18,5	70/22
	400V	A/kW	25/15	32/18,5	50/30	60/33	67/37
	500V	A/kW	25/15	32/22	50/37	60/40	67/45
	690V	A/kW	(16A*) 20/18,5	25*/22	32/30	35/33	38/37
AC3 Starting of cage motors (interruption while running) 3 phase - 3 poles	230V	A/kW	22/7.5	30/9	40/11	50/15	60/18,5
	400V	A/kW	22/11	30/15	40/22	50/25	55/30
	500V	A/kW	22/11	30/18,5	40/30	50/33	55/37
	690V	A/kW	(12A*) 22/11	(20A*) 22/18,5	25/22	27/25	32/30
Nominal interruption power AC-23A (cosφ 0,45)	230V	A	200	256	400	504	560
	400V	A	200	256	400	480	536
	500V	A	200	256	400	480	536
	690V	A	160	200	256	280	304

SHORT CIRCUIT CHARACTERISTICS

Rated short-time short circuit withstand current I _{cw} (1s)	A	400*	400*	1500	1500	1500
Rated short circuit making capacity I _{cm}	A	1500*	1500*	2840	2840	2840
Conditional rated short circuit withstand current	kA	10*	10*	10*	10*	10
Fuse rating gG	500V	A	-	-	-	100
	690V	A	40*	40*	(80*) 63	80*

UL 508 CHARACTERISTICS

General use	600V ac	A	32	40	63	80	100
Standard motors load	Single phase - 2 poles	120V ac HP(FLA)	1,5 (20)	2 (24)	3 (34)	3(34)	3 (34)
		240V ac HP(FLA)	3 (17)	5 (28)	7,5 (40)	7,5 (40)	10 (50)
	3 phase - 3 poles	240V ac HP(FLA)	7,5 (22)	10 (28)	10 (28)	10 (28)	10 (28)
		480V ac HP(FLA)	10 (14)	15 (21)	20 (27)	25 (34)	25 (34)
		600V ac HP(FLA)	15 (17)	20 (22)	25 (27)	30 (32)	30 (32)

* IMQ values

Regolus

Switch - Disconnectors - SE Series

General characteristics



AUTOMATION TECHNOLOGIES

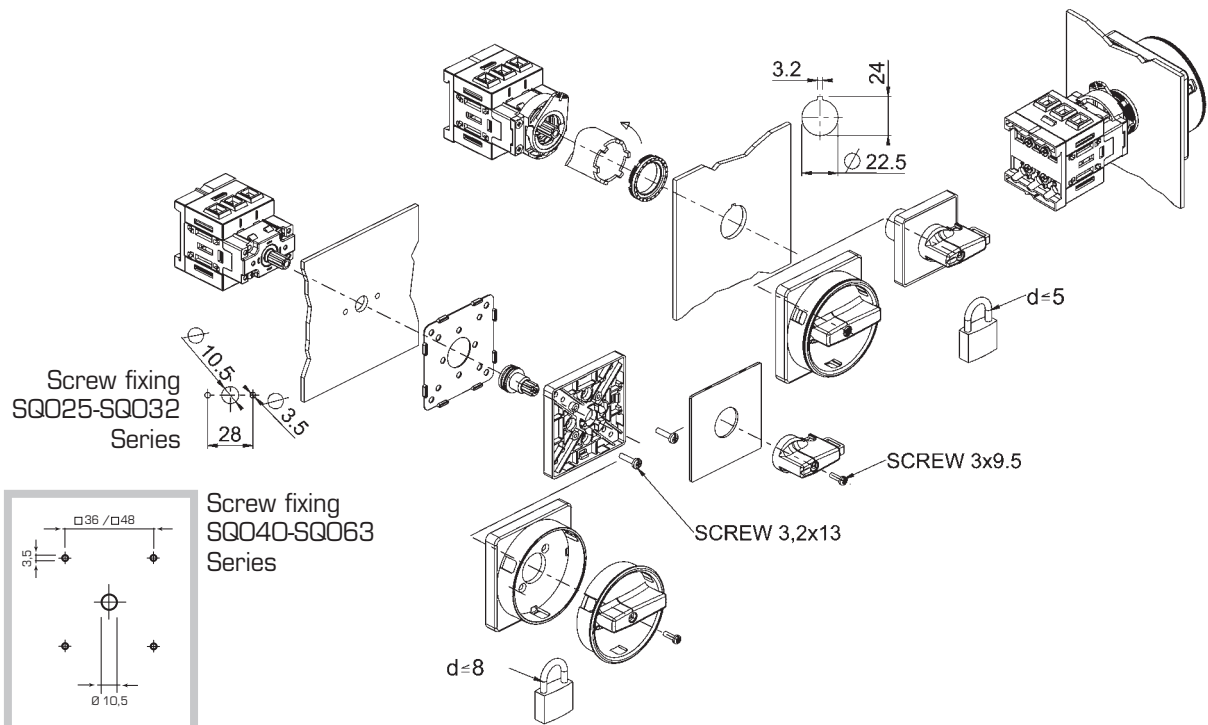
			IEC947-3, EN60947-3, UL508				
			SE16 - SE32		SE63 - SE80 - SE100		
■ Comply with rules	Protection class	control	EN60529 (UL 50♦)				
		terminals	EN60529				
■ Material group	EN60947-1						
■ Pollution grade	EN60947-1						
■ Flammability	UL94						
■ Ambient temperature	°C						
	°C						
■ Climate withstand	IEC68 part 2-3						
	IEC68 part 2-30						
■ Switching force (3 poles)			0,6 Nm (5,3 lb.in.)		1,5 Nm (13,3 lb.in.)		
■ Connections:							
Terminal block caliber	EN60947-1						
Terminal screw			A6		A8		
Screwing torque			M4		M5		
			1,2 Nm		3 Nm		
			11,5 lb.in. (1,3 Nm)		32 lb.in. (3,6 Nm)		
■ Connectable section:							
Flexible conductors	n°. 1 min/max	mm ²	1,5-10		6-25		
			AWG		16-8		
Solid conductors	n°. 1 min/max	mm ²	1,5-16		10-35		
			AWG		16-8		
■ Contacts	Slow opening double-break - Positive opening						
■ Opening angles			90°		90°		
■ Mechanical lifetime at 120 operations per hour mil/cl	nr. of cycles			0,1		0,1	
CERTIFICATIONS							
■	CE mark – Europa						
■	cUL Listed - Usa and Canada						
■	IMG Istituto Marchio Qualità - Italia						
■	CCC Cina						
■	GOST Russia						
♦ See p/n devices			■ Comply to the requirements by passed test		● Approved		

Regolus

Switch - Disconnectors

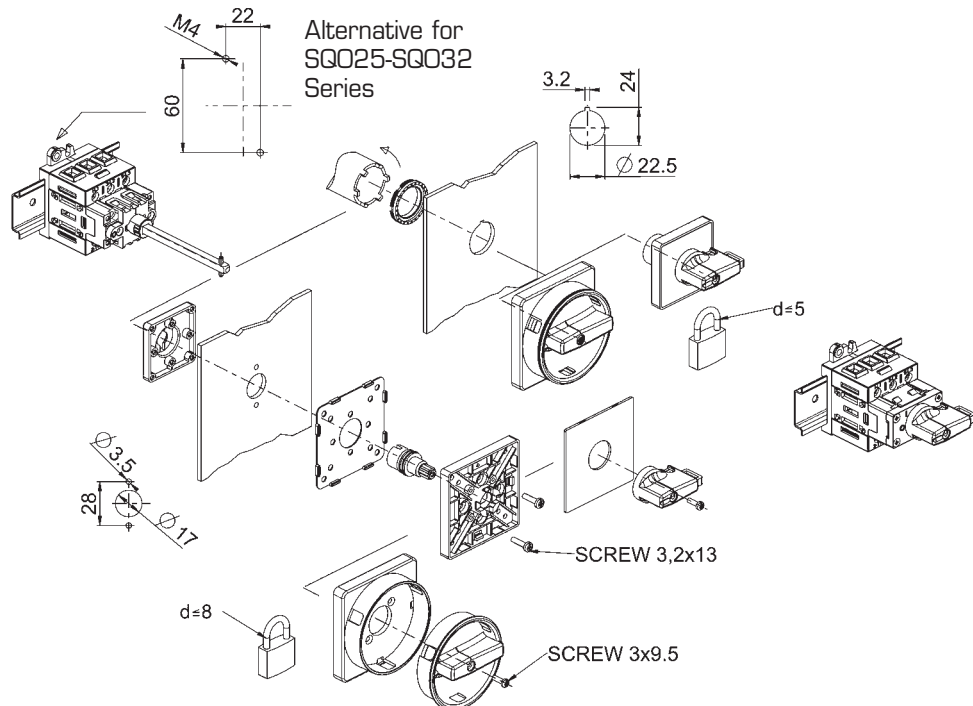
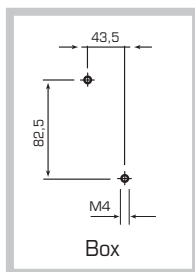
SQ025-SQ063 Series - Mounting instructions

PANEL MOUNTING EXECUTION



BOX EXECUTION

Alternative for SQ040-SQ063 Series



Regolus

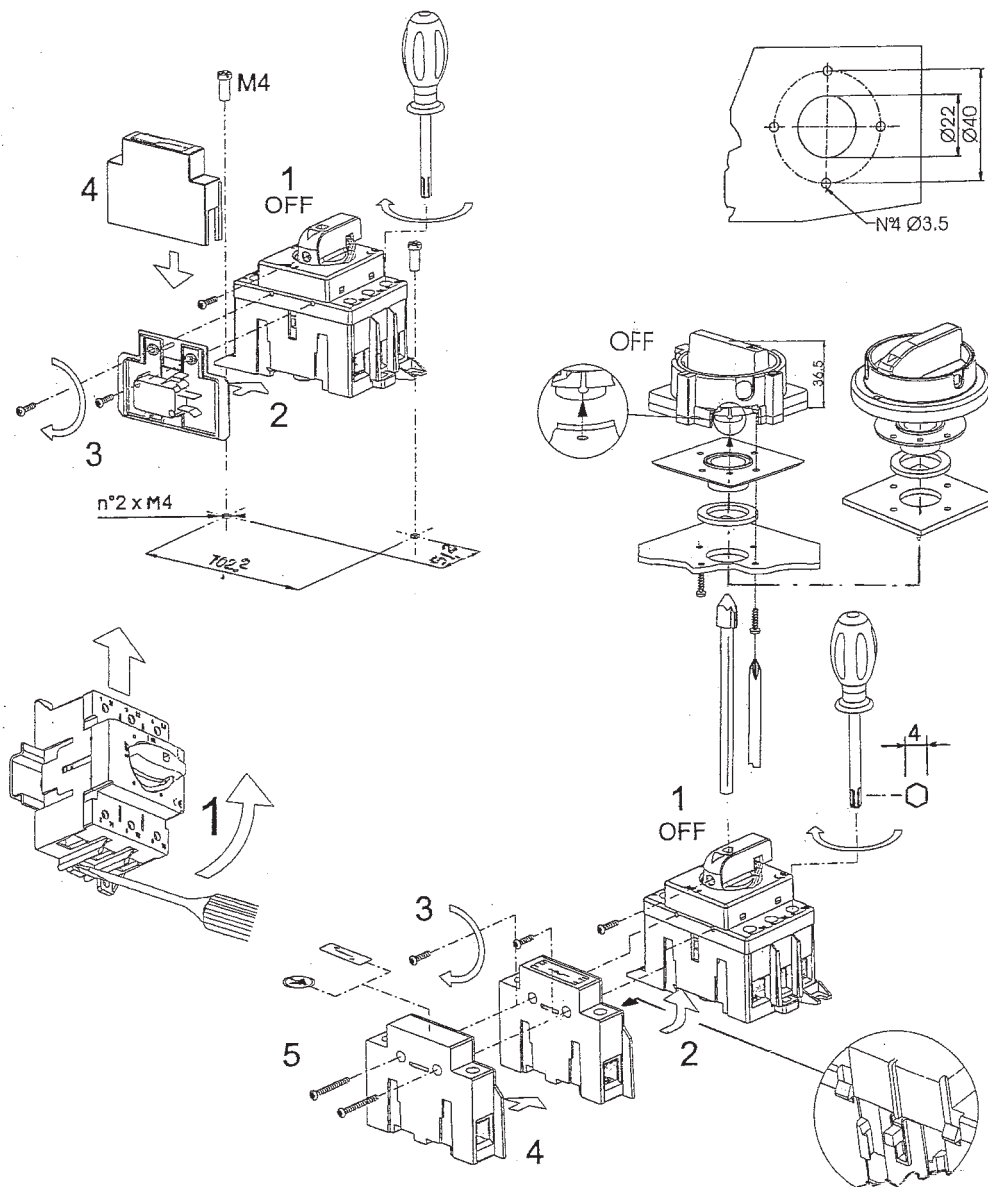
Switch - Disconnectors

SQ125-SQ160 Series - Mounting instructions



AUTOMATION TECHNOLOGIES

PANEL MOUNTING EXECUTION



Regolus

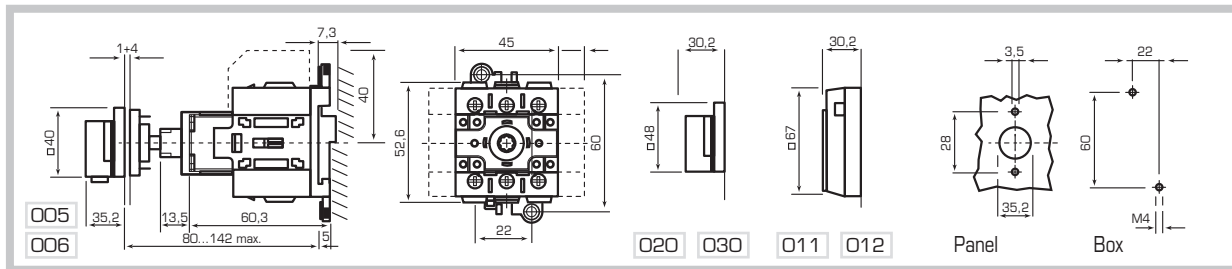
Switch - Disconnectors

SQ025 SQ032 Series - Dimensions

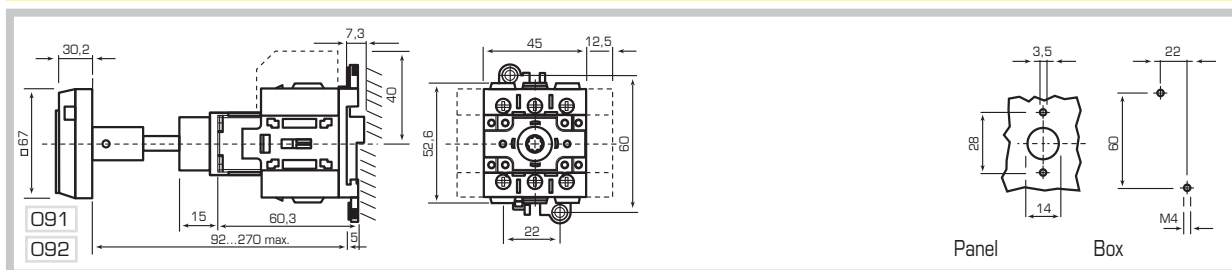


AUTOMATION TECHNOLOGIES

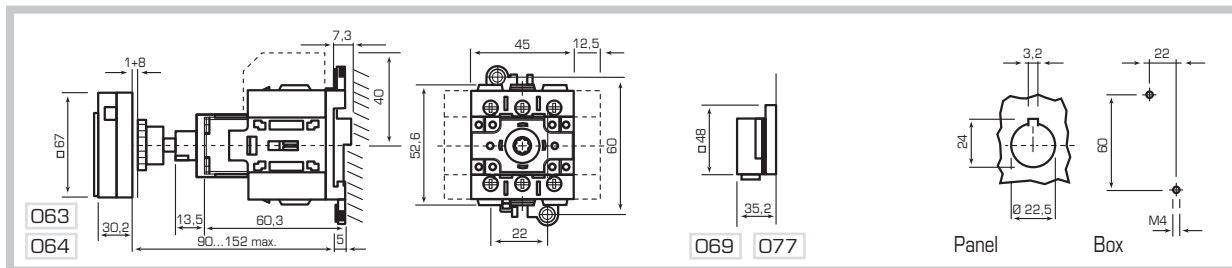
Type B box fixing for door interlock - Command with screws fixing



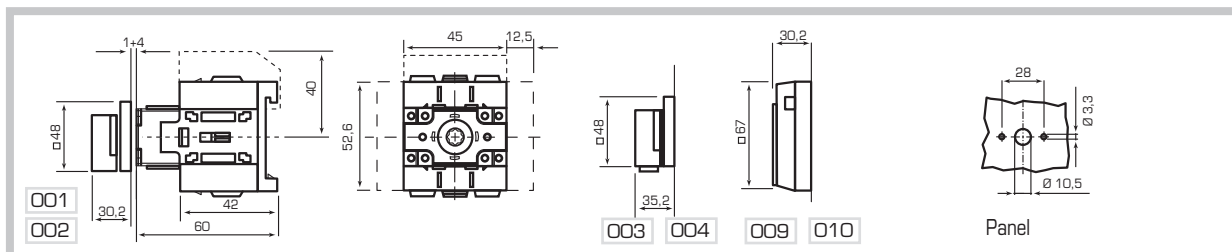
Type K box fixing for door interlock - Command with screws fixing



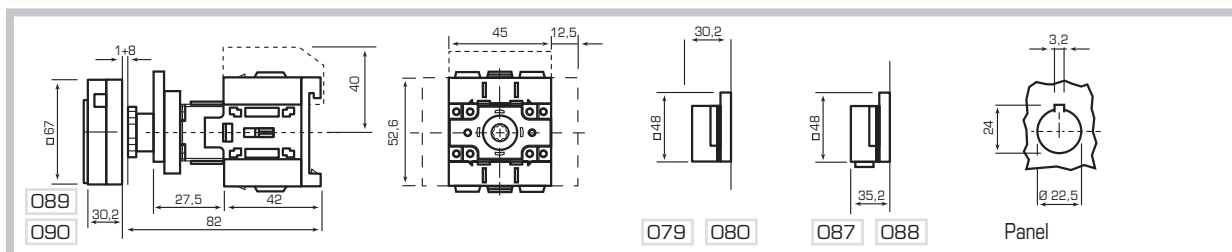
Type B box fixing for door interlock - Command central fixing ø 22



Type R rear panel mounting - Command with screws fixing



Type S rear panel mounting - Command central fixing ø 22

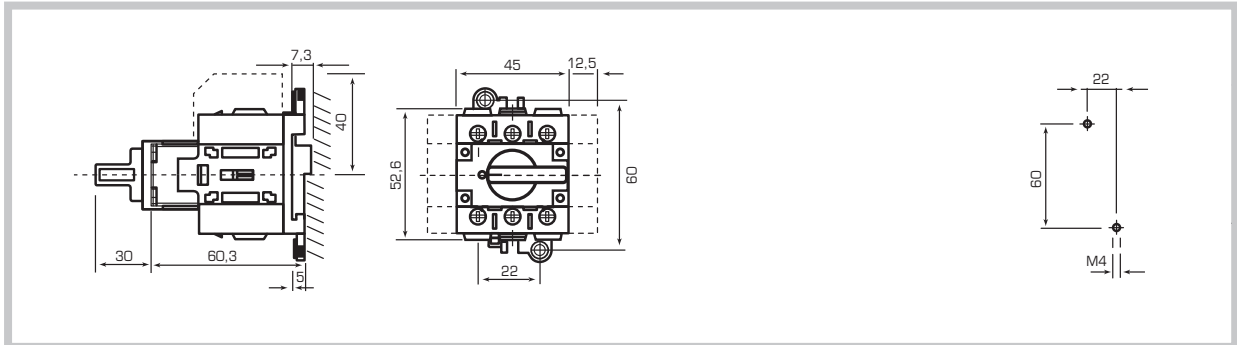


Regolus

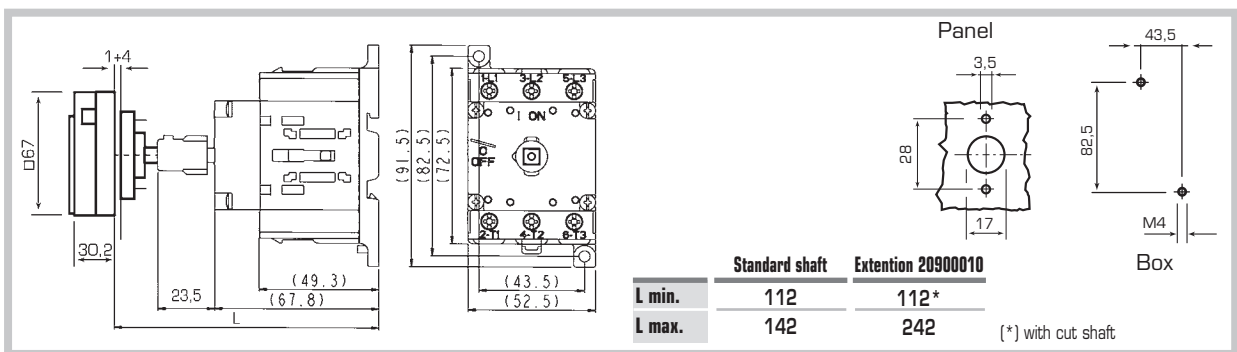
Switch - Disconnectors

SQ025-SQ032 SQ040-SQ063 Series - Dimensions

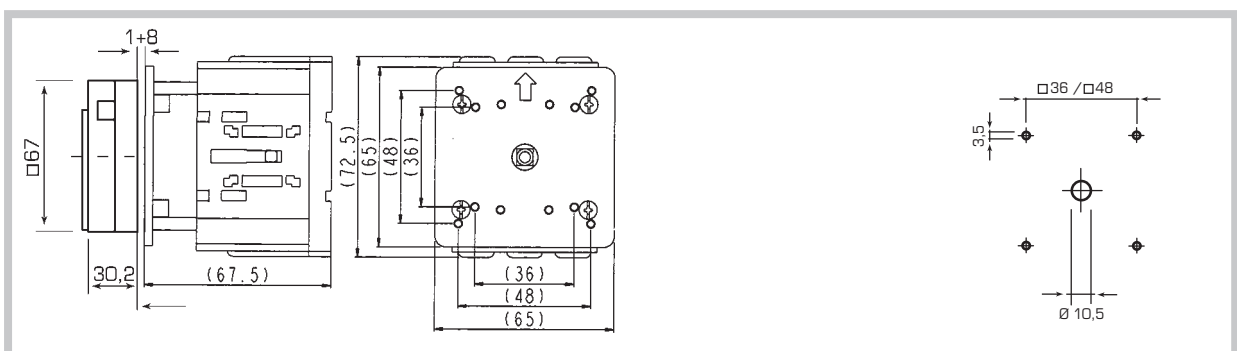
Type D-L1N direct command box fixing - SQ025 SQ032 Series



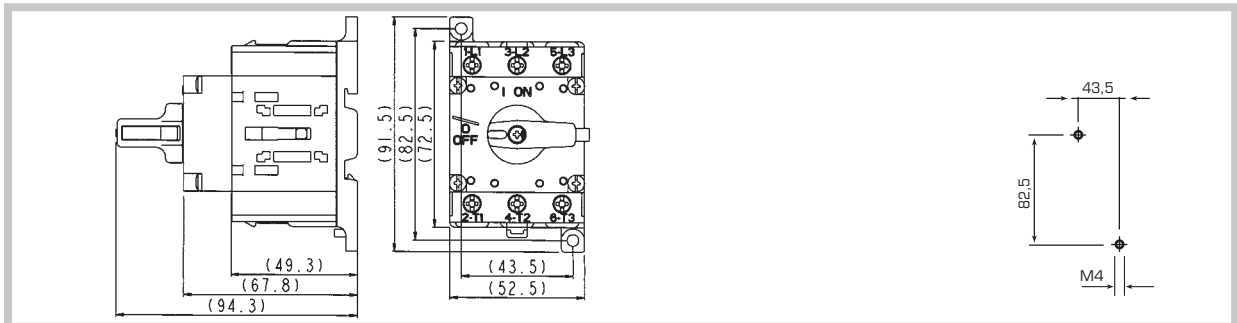
Type B box fixing for door interlock - SQ040-SQ063 Series



Type R rear panel mounting - SQ040-SQ063 Series



Type D-L2N direct command box fixing - SQ040-SQ063 Series



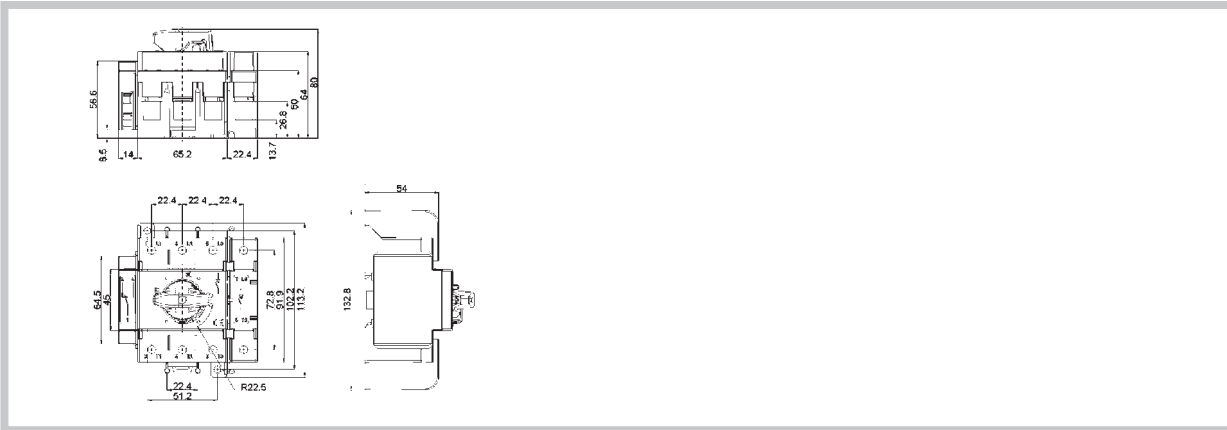
Regolus

Switch - Disconnectors SQ125-SQ160 Series - Dimensions

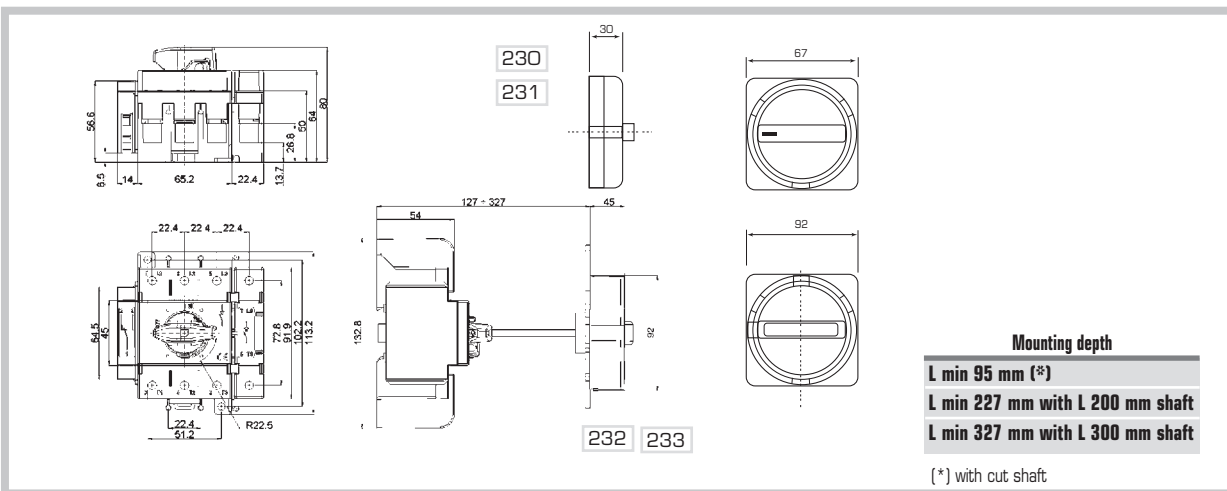


AUTOMATION TECHNOLOGIES

Type D-L2N direct command box fixing



Box fixing for door interlock



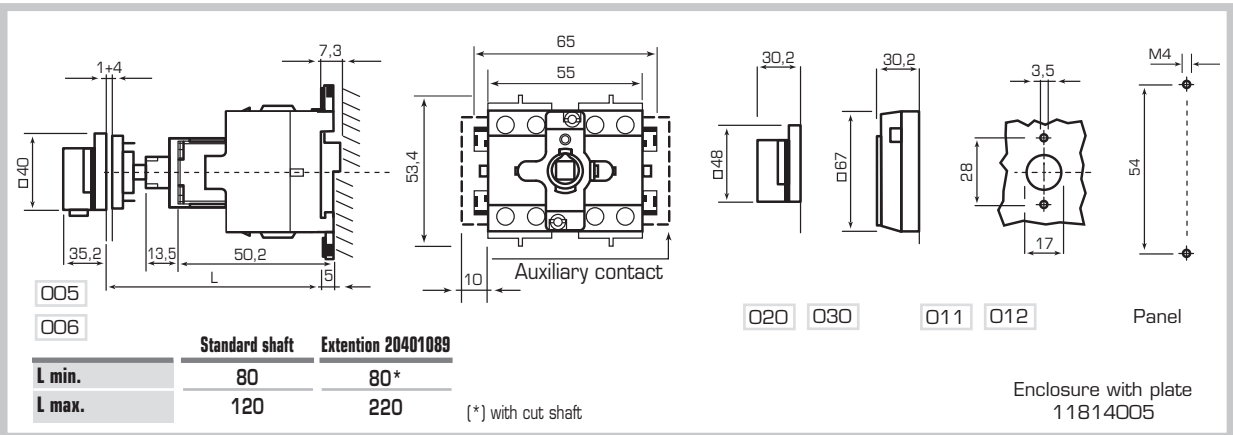
Regolus

Switch - Disconnectors

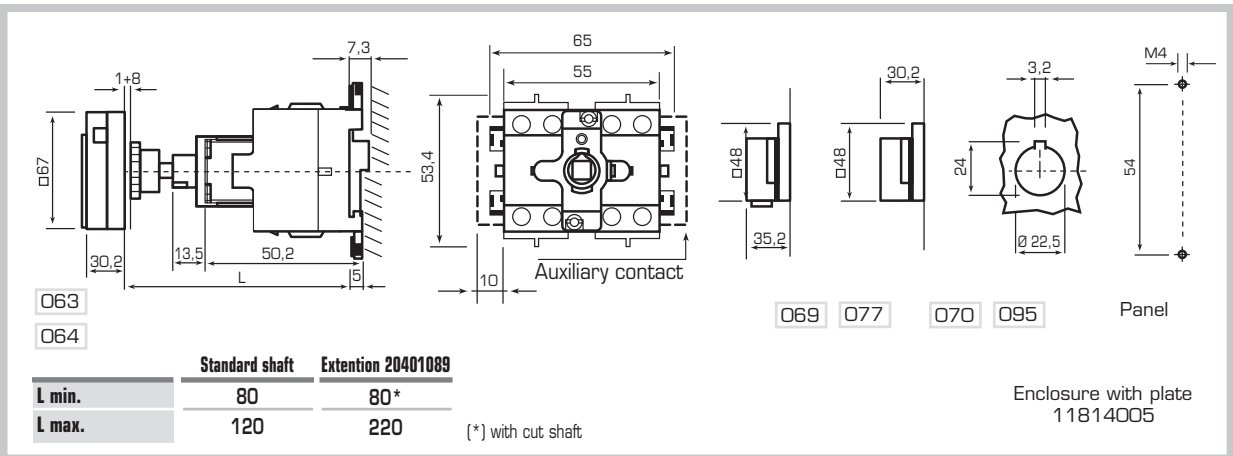
SE16 - SE100 Series - Dimensions

TYPE B BOX FIXING FOR DOOR INTERLOCK

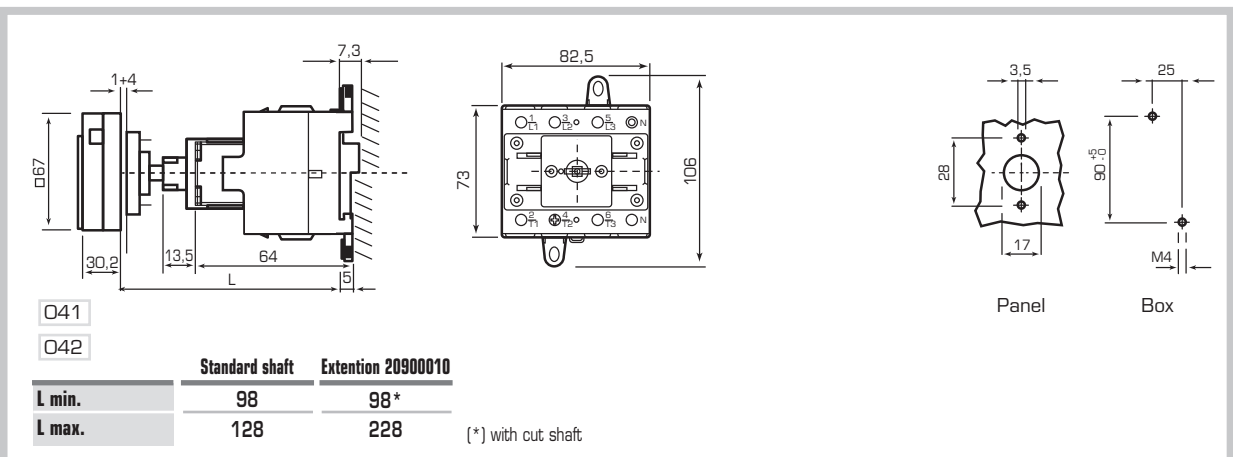
SE16 - SE32 Series with screws fixing



SE16 - SE32 Series with central fixing $\varnothing 22$



SE63 - SE100 Series with screws fixing



Regolus

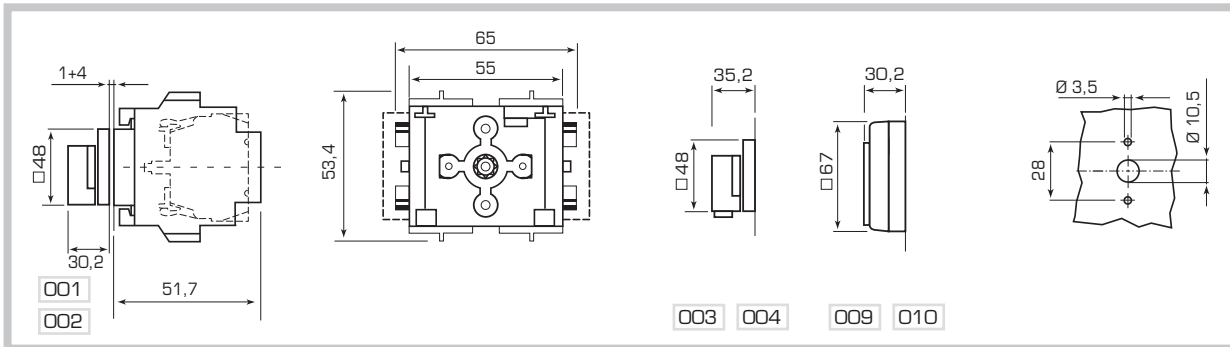
Switch - Disconnectors

SE16 - SE100 Series - Dimensions

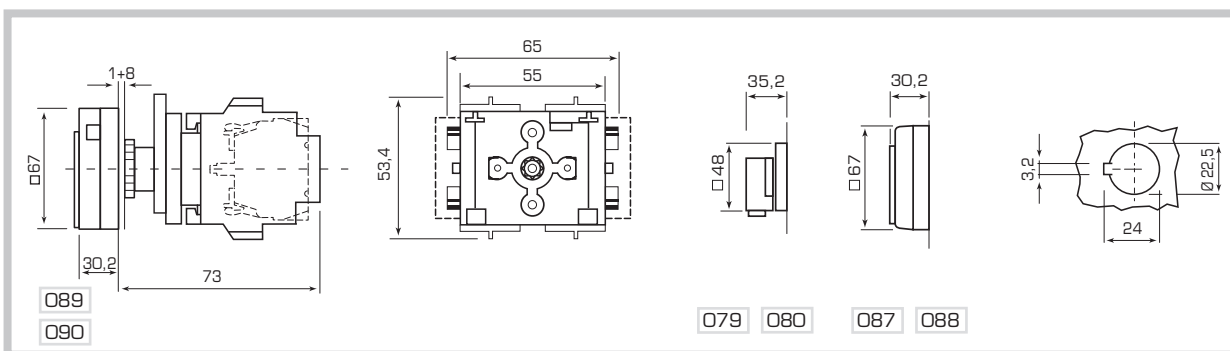


AUTOMATION TECHNOLOGIES

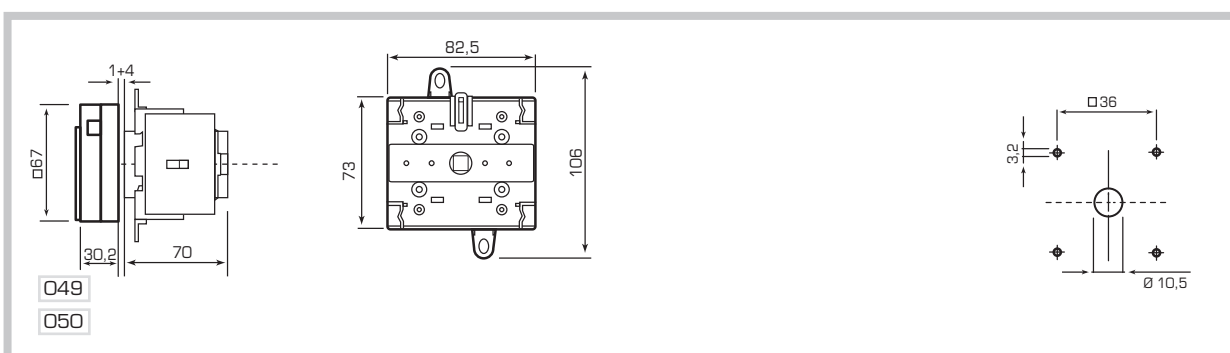
Type R rear panel mounting - Command with screws fixing SE16-SE32 Series



Type S rear panel mounting - Command central fixing $\varnothing 22$ SE16-SE32 Series



Type S rear panel mounting - Command central fixing $\varnothing 22$ SE16-SE32 Series



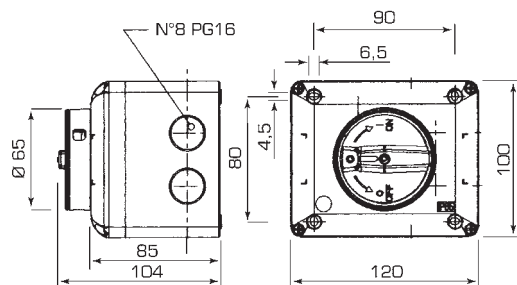
Regolus

Switch - Disconnectors

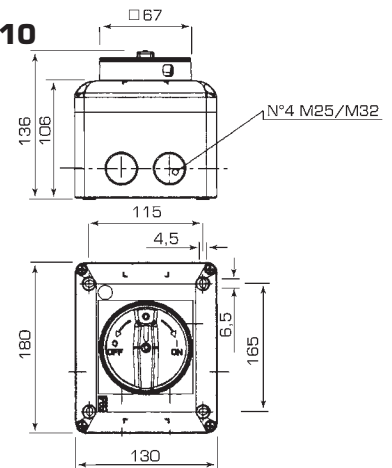
Enclosure installation - Dimensions

ENCLOSURE INSTALLATION

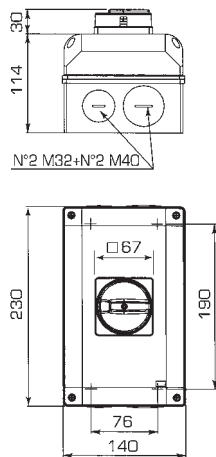
C01 - C09 - C10



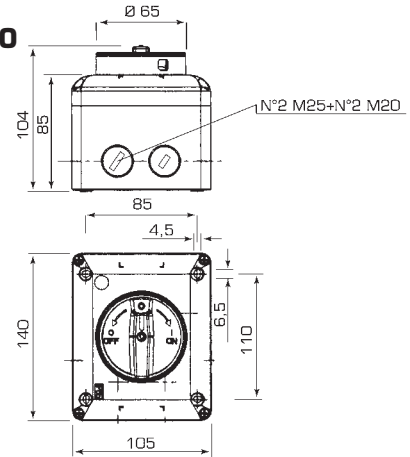
E01 - E09 - E10



C41 - C42



A09 - A10



AB9 - AB0

