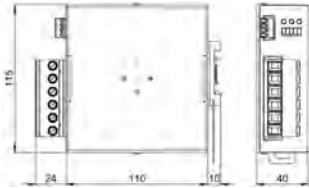


Power supply · Redundancy module

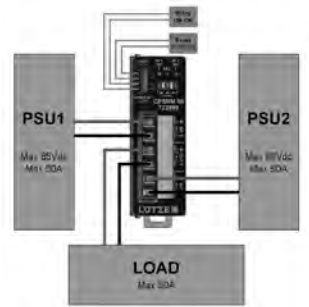
Redundant module 12 to 85 V, 50 A
Potential-free signalling contact
Status LED per input



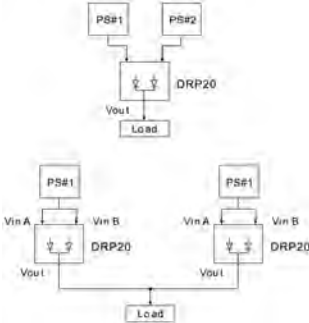
Dimensions



PIN assignment



Use



Description	Part-No.	Type	PU
Screw terminal			
Output voltage/current	DC 12 V–85 V/50 A	722999	CPSRM50
			1
Input		CPSRM50	
Nominal voltage		–	
Operation voltage range		DC 12–85 V	
Inputs		2	
Rated current		max. 50 A per input	
Internal fuse		–	
External fuse		–	
Output			
Rated voltage output		–	
Rated current output		–	
Max. output current		300 A	
Voltage drop		<0,2 V	
Inverse voltage		–	
Low power loss		Max. 10 W	
No-load power		<1,5 W	
Status indication DC ON LED green		IN1, IN2 OK	
Status indication DC ON LED red		Redundancy error	
Overtemperature protection		No	
Over voltage protection		No	
General			
Operation temperature range		-20 °C – 50 °C	
Derating		–	
Storage temperature range		-25 °C – 85 °C	
M.T.B.F.		–	
Dimensions (w × h × d) in mm		40.0 × 115.0 × 110.0	
Cooling		Air convection	
Housing material		Aluminium	
Field installation		rail TS 35 (EN 50022)	
Application height		– m	
Installation position		vertical	
Protection class		IP 20 (IEC529, EN60529)	
Overvoltage category		II	
Pollution degree		2	
Weight (kg/piece)		0.200	
Termination		Input: pluggable screw connection: 0,2–16 mm ² Output: pluggable screw connection: 0,2–16 mm ² Relay: pluggable screw connection: 0,2–1,5 mm ²	
Approvals		UL, cUL: UL 508 listed, UL 60950-1 recognised CE: EN 55022 Class B, EN 55024 CE: EN 61000-4-2/3/4/6/8, EN 61204-3	
Monitoring			
DC ON Control (Rdy)		N/O contact	
Switching voltage		Ac 300 V/DC 24 V	
Switching current		AC/DC 1 A	
Switching capacity		300 VA / 30 W	
Insulation voltage		DC 100 V	