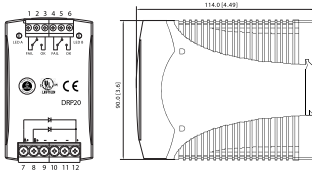


Power supply · Redundancy module

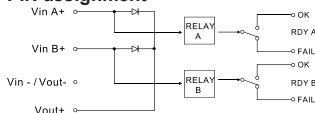
Redundancy module 20 A with 2 inputs Potential-free signalling contact and Status LED per input Over- and undervoltage control



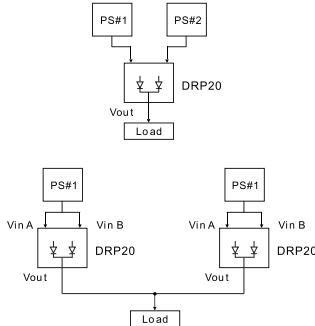
Dimensions



PIN assignment



Use



Description	Part-No.	Type	PU	
Screw terminal				
Output voltage/current	DC 24 V / 20 A	722987	DRP 20-24	1
Input				
DRP 20-24				
Nominal voltage	DC 24 V			
Operation voltage range	DC 21–28 V			
Inputs	2			
Rated current	max. 20 A in total			
Internal fuse	–			
External fuse	–			
Output				
Rated voltage output	DC 24 V			
Rated current output	20 A			
Max. output current	30 A, 5 s, @ 24 V			
Voltage drop	0.5 V			
Inverse voltage	30 V			
Low power loss	Max. 10 W			
Status indication DC ON LED green	ON: DC input A or B OK / OFF: Error			
Rated over load protection	No			
Over voltage protection	No			
General				
Operation temperature range	-5 °C – 70 °C			
Derating	–			
Storage temperature range	-40 °C – 85 °C			
M.T.B.F.	659000 h			
Dimensions (w × h × d) in mm	54.0 × 90.0 × 114.0			
Cooling	Air convection			
Housing material	Plastic			
Field installation	rail TS 35 (EN 50022)			
Application height	4850 m			
Installation position	vertical			
Protection class	IP 20 (IEC529, EN60529)			
Overvoltage category	II			
Pollution degree	2			
Weight (kg/piece)	0.210			
Termination	Input: screw terminal: 0.2-4.0 mm ² Output: screw terminal: 0.2-6.0 mm ² Relay: screw terminal: 0.2–2.5 mm ²			
Approvals	UL, cUL: UL 508 listed, UL 60950-1 recognised CE: EN 550'22 Class B, EN 55024 CE: EN 61000-4-2/3/4/6/8, EN 61204-3			
Monitoring				
DC ON Control (Rdy)	Changeover contact per input No error: input voltage >20 V or <30 V, connection 2(5) - 3(6) closed Error: input voltage <20 V or >30 V, connection 2(5) - 1(4) closed			
Switching voltage	AC 300 V / DC 150 V			
Switching current	AC/DC 1 A			
Switching capacity	300 VA / 30 W			
Insulation voltage	AC 100 V			