

DSTB38

Vandalism protected trackball

- *for public surroundings*
- *extrem weather conditions*
- *and many more*



DSTB38

stainless
steel
or
black
plastic
ball

Description:

- A vandalism protected trackball in very robust processing.
- Can be a full pointing device with up to integrated 3 mouse buttons.
- Almost insensitive to violence.
- Mounting element with very low measurements for keyboards, independent trackballs and other instruments.
- Especially for surroundings where there is danger by vandalism and/or much customer traffic and/or extrem weather conditions.
- Is especially suited to instruments which works in industrial extreme surroundings.

Features:

- All electronic components and mechanical guides are protected against ingress of dust and water spray (protection IP 65).
- With button modul convenient and positive operation due to the 3,25 mm travel keys with tactile feel.
- Stainless steel ball or black plastic ball, 38mm, with protection IP 65 (static), IP 56 (dynamic).
- Certain accurate pointer control about the stainless steel axis.
- PCB with electronic components.
- Predestined for the work in public terminals, in machines and devices wich have to work in extreme damp or very dusty surroundings, and many more.

Order number for example:

notation: DSTB38-ES Q
article number: 0400700T3B00000EE00

More information to each variant and their order numbers, see our web-site at

www.dskeyboard.com

Mechanical Data:

- Durability > 2 million turns
- Mounting angle max. 45°
- Weight 270gr
- Storage temperature -25°C - +80°C
- Operation temperature 0°C - +60°C
- Protection IP65 (static)

Variants:

- Operating modes are possible in quadrature, PS/2 and USB

Connecting-Variants:

- PS/2, USB, SubD
- Cable straight or spiral-shaped
- Cable length 1,5 m
- Other length are possible

Detail views:

- Qualitatively excellent processing
- Connecting by JST-Connector
- Stainless steel axis
- Impact-resistant polyamid enclosure
- Accurate guidance of the axis



Electrical Data:

- Power supply + 5 V/VDC, 50 mA
- Current consumption max. 5mA
- CE-conformable
- EMC-conformable
- RoHS-conformable

Principle:

- With button module contact by a silicon switch pad with carbon contacts.

Use Possibilities:

- Extreme damp (even splash water) surroundings
- Very dusty surroundings
- Test- and measurement systems
- Machine- and device construction
- Trade and craft
- Industry
- Many freequented areas
- and any more

Mode connections:

- Connection allocations for the different modes (must be modified by factory side):

10pin JST-Connector

1	X1
2	X2
3	Y1
4	Y2
5	PS/2 M Dat
6	PS/2 M CLK
7	VCC
8	USB D-
9	USB D+
10	GND

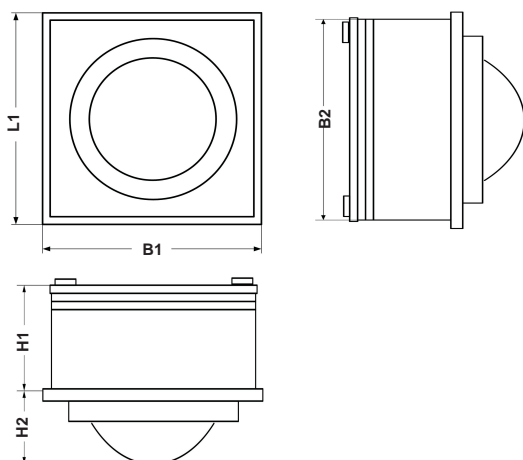
CON 1

4pin Connector

1	GND
2	Left M Button
3	Right M Button
4	Middle M Button

CON 2

Dimensions:



L1 = 58,00mm

B1 = 58,00mm

B2 = 54,00mm

H1 = 24,00mm

H2 = 16,00mm

More information about the measurements can be downloaded from our web-site.

DSTB38

stainless
steel
or
black
plastic
ball

DS Keyboard Technic GmbH

Herrenlandstr. 31-35
78315 Radolfzell

Tel.:
+49 (0) 7732-82385-0

Fax:
+49 (0) 7732-82385-29

Mail:
info@dskeyboard.com

Internet:
www.dskeyboard.com

DSTB38

Vandalism protected trackball

- *for public surroundings*
- *extrem weather conditions*
- *and many more*



DSTB38

stainless
steel
or
black
plastic
ball

Description:

- A vandalism protected trackball in very robust processing.
- Can be a full pointing device with up to integrated 3 mouse buttons.
- Almost insensitive to violence.
- Mounting element with very low measurements for keyboards, independent trackballs and other instruments.
- Especially for surroundings where there is danger by vandalism and/or much customer traffic and/or extrem weather conditions.
- Is especially suited to instruments which works in industrial extreme surroundings.

Features:

- All electronic components and mechanical guides are protected against ingress of dust and water spray (protection IP 65).
- With button modul convenient and positive operation due to the 3,25 mm travel keys with tactile feel.
- Stainless steel ball or black plastic ball, 38mm, with protection IP 65 (static), IP 56 (dynamic).
- Certain accurate pointer control about the stainless steel axis.
- PCB with electronic components.
- Predestined for the work in public terminals, in machines and devices wich have to work in extreme damp or very dusty surroundings, and many more.

Order number for example:

notation: DSTB38-ES Q
article number: 0400700T3B00000EE00

More information to each variant and their order numbers, see our web-site at

www.dskeyboard.com

Mechanical Data:

- Durability > 2 million turns
- Mounting angle max. 45°
- Weight 270gr
- Storage temperature -25°C - +80°C
- Operation temperature 0°C - +60°C
- Protection IP65 (static)

Variants:

- Operating modes are possible in quadrature, PS/2 and USB

Connecting-Variants:

- PS/2, USB, SubD
- Cable straight or spiral-shaped
- Cable length 1,5 m
- Other length are possible

Detail views:

- Qualitatively excellent processing
- Connecting by JST-Connector
- Stainless steel axis
- Impact-resistant polyamid enclosure
- Accurate guidance of the axis



Electrical Data:

- Power supply + 5 V/VDC, 50 mA
- Current consumption max. 5mA
- CE-conformable
- EMC-conformable
- RoHS-conformable

Principle:

- With button module contact by a silicon switch pad with carbon contacts.

Use Possibilities:

- Extreme damp (even splash water) surroundings
- Very dusty surroundings
- Test- and measurement systems
- Machine- and device construction
- Trade and craft
- Industry
- Many freequented areas
- and any more

Mode connections:

- Connection allocations for the different modes (must be modified by factory side):

10pin JST-Connector

1	X1
2	X2
3	Y1
4	Y2
5	PS/2 M Dat
6	PS/2 M CLK
7	VCC
8	USB D-
9	USB D+
10	GND

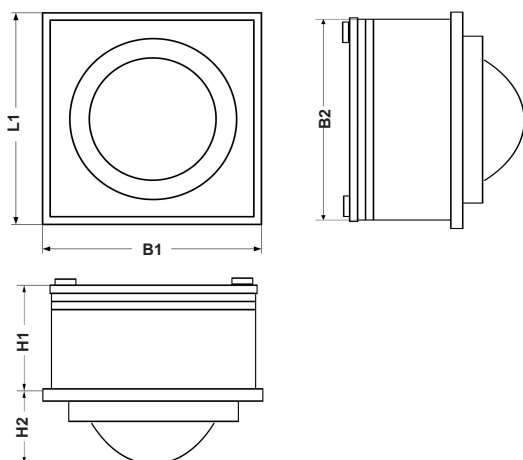
CON 1

4pin Connector

1	GND
2	Left M Button
3	Right M Button
4	Middle M Button

CON 2

Dimensions:



L1 = 58,00mm

B1 = 58,00mm

B2 = 54,00mm

H1 = 24,00mm

H2 = 16,00mm

More information about the measurements can be downloaded from our web-site.

DSTB38

stainless
steel
or
black
plastic
ball

**DS Keyboard
Technic GmbH**

Herrenlandstr. 31-35
78315 Radolfzell

Tel.:
+49 (0) 7732-82385-0

Fax:
+49 (0) 7732-82385-29

Mail:
info@dskeyboard.com

Internet:
www.dskeyboard.com

ES-TB BL

stainless
steel

ES-TB BL

Vandalism protected trackball

- *for public surroundings*
- *extrem weather conditions*
- *and many more*



Description:

- A vandalism protected trackball in very robust processing.
- A full pointing device with the integrated 3 mouse buttons.
- Almost insensitive to violence.
- Mounting version with very low measurements for prepared mounting shafts.
- Explicitly for surroundings where there is danger by vandalism and/or much customer traffic and/or extrem weather conditions.
- Especially suitable for industrial extreme surroundings.

Features:

- All electronic components and mechanical guides are protected against ingress of dust and water spray (protection IP 65).
- Convenient and positive operation due to the 3,25 mm travel keys with tactile feel.
- In stainless steel construction 1.4301 (buttons, front plate with 3 mm strength).
- Black plastic ball, 38mm, with protection IP 65 (static), IP 56 (dynamic).
- Key labelling in laser procedure.
- PCB with electronic components.
- Carbon contact-technology.
- Predestined for the work in public terminals, in machines and devices which have to work in extreme damp (even splash water) or very dusty surroundings, and many more.

Order number for example:

notation: ES-TB AA BL PS2
article number: 02001AA2C1A1503EE00

More information to each variant and their order numbers, see our web-site at

www.dskeyboard.com

**DS Keyboard
Technic GmbH**

Development
Production
Distribution

- keyboards
- input modules and switches
- control units and panels
- electronic modules

Mechanical Data:

- Travel 3,25 mm, tactile feel
- Operation force 0,65 N
- 3 buttons, 38mm black plastic ball
- Durability > 10 million ops.
- Storage temperature -40°C - +70°C
- Operation temperature 0°C - +60°C (optional -20°C - +60°C)
- Protection IP65

Layouts:

- All variants are possible.

Variants:

- Custom-designed variants are possible (see our web-site).

Connecting-Variants:

- PS/2, USB
- Cable straight or spiral-shaped
- Cable length 1,5 m
- Other length are possible

Detail views:

- Compact 15mm button arrangement, include 38mm black plastic trackball.
- Very robust steel construction
- Qualitatively excellent processing



Electrical Data:

- Power supply + 5 V/DC, 50 mA
- 2-key roll over
- Autorepeat
- 16k EEPROM memory
- CE-conformable
- EMC-conformable
- RoHS-conformable

Principle:

- Contact by a silicon switch pad with carbon contacts.

Use Possibilities:

- Extreme damp (even splash water) surroundings
- Very dusty surroundings
- Test- and measurement systems
- Machine- and device construction
- Trade and craft
- Industry
- Many frequented areas
- and any more

Mode connections:

- Connection allocations for the different modes (must be modified by factory side):

10pin JST-Connector

- 1 X1
- 2 X2
- 3 Y1
- 4 Y2
- 5 PS/2 M Dat
- 6 PS/2 M CLK
- 7 VCC
- 8 USB D-
- 9 USB D+
- 10 GND

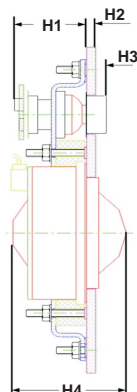
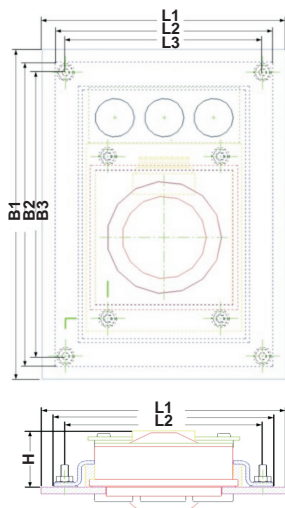
CON 1

4pin Connector

- 1 GND
- 2 Left M Button
- 3 Right M Button
- 4 Middle M Button

CON 2

Dimensions:



L1 = 94,00mm
L2 = 84,00mm
L3 = 76,00mm

B1 = 130,00mm
B2 = 120,00mm
B3 = 112,00mm

H = 24,00mm
H1 = 25,10mm
H2 = 3,00mm
H3 = 3,00mm
H4 = 40,50mm

More information about the measurements can be downloaded from our web-site.

ES-TB BL

stainless
steel

**DS Keyboard
Technic GmbH**

Herrenlandstr. 31-35
78315 Radolfzell

Tel.:
+49 (0) 7732-82385-0

Fax:
+49 (0) 7732-82385-29

Mail:
info@dskeyboard.com

Internet:
www.dskeyboard.com

ES-TB

Vandalism protected trackball

- *for public surroundings*
- *extrem weather conditions*
- *and many more*



ES-TB

stainless
steel

Description:

- A vandalism protected trackball in very robust processing.
- A full pointing device with the integrated 3 mouse buttons.
- Almost insensitive to violence.
- Mounting version with very low measurements for prepared mounting shafts.
- Explicitly for surroundings where there is danger by vandalism and/or much customer traffic and/or extrem weather conditions.
- Especially suitable for industrial extreme surroundings.

Features:

- All electronic components and mechanical guides are protected against ingress of dust and water spray (protection IP 65).
- Convenient and positive operation due to the 3,25 mm travel keys with tactile feel.
- Completely in stainless steel construction 1.4301 (buttons, front plate with 3 mm strength).
- Stainless steel ball, 38mm, with protection IP 65 (static), IP 56 (dynamic).
- Key labelling in laser procedure.
- PCB with electronic components.
- Carbon contact-technology.
- Predestined for the work in public terminals, in machines and devices which have to work in extreme damp (even splash water) or very dusty surroundings, and many more.

Order number for example:

notation: ES-TB AA PS2

article number: 02001AA251A1503EE00

More information to each variant and their order numbers, see our web-site at

www.dskeyboard.com

Mechanical Data:

- Travel 3,25 mm, tactile feel
- Operation force 0,65 N
- 3 buttons, 38mm stainless steel ball
- Durability > 10 million ops.
- Storage temperature -40°C - +70°C
- Operation temperature 0°C - +60°C (optional -20°C - +60°C)
- Protection IP65

Layouts:

- All variants are possible.

Variants:

- Custom-designed variants are possible (see our web-site).

Connecting-Variants:

- PS/2, USB
- Cable straight or spiral-shaped
- Cable length 1,5 m
- Other length are possible

Detail views:

- Compact 15mm button arrangement, include 38mm stainless steel trackball.
- Very robust steel construction
- Qualitatively excellent processing



Electrical Data:

- Power supply + 5 V/DC, 50 mA
- 2-key roll over
- Autorepeat
- 16k EEPROM memory
- CE-conformable
- EMC-conformable
- RoHS-conformable

Principle:

- Contact by a silicon switch pad with carbon contacts.

Use Possibilities:

- Extreme damp (even splash water) surroundings
- Very dusty surroundings
- Test- and measurement systems
- Machine- and device construction
- Trade and craft
- Industry
- Many frequented areas
- and any more

Mode connections:

- Connection allocations for the different modes (must be modified by factory side):

10pin JST-Connector

- 1 X1
- 2 X2
- 3 Y1
- 4 Y2
- 5 PS/2 M Dat
- 6 PS/2 M CLK
- 7 VCC
- 8 USB D-
- 9 USB D+
- 10 GND

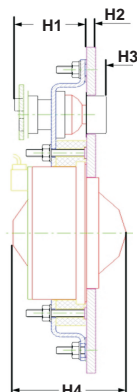
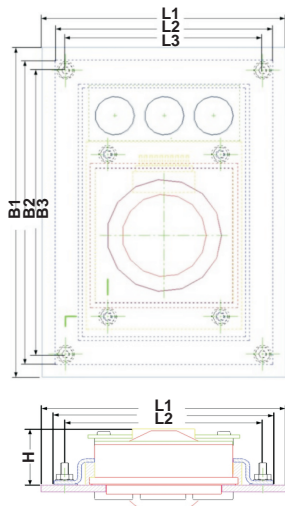
CON 1

4pin Connector

- 1 GND
- 2 Left M Button
- 3 Right M Button
- 4 Middle M Button

CON 2

Dimensions:



L1 = 94,00mm
L2 = 84,00mm
L3 = 76,00mm

B1 = 130,00mm
B2 = 120,00mm
B3 = 112,00mm

H = 24,00mm
H1 = 25,10mm
H2 = 3,00mm
H3 = 3,00mm
H4 = 40,50mm

More information about the measurements can be downloaded from our web-site.

ES-TB

stainless
steel

**DS Keyboard
Technic GmbH**

Herrenlandstr. 31-35
78315 Radolfzell

Tel.:
+49 (0) 7732-82385-0

Fax:
+49 (0) 7732-82385-29

Mail:
info@dskeyboard.com

Internet:
www.dskeyboard.com